

103031

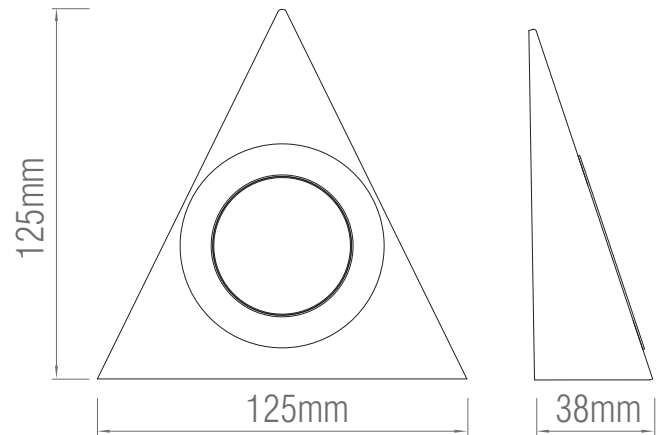
Nyx CCT

FEATURES

- 2 years warranty
- Matt black & frosted PC finish
- Constructed from steel & polycarbonate
- No driver required
- 1M cable included

SPEC DATA

Product Wattage:	2.5W
Product Lumen:	200
Lumen/W:	80
Kelvin:	3000/4000/6500K
Energy Rating:	G
Dimmable:	No
Beam Angle:	105°
Power Factor:	0.9
CRI:	80
Lifetime (Hours):	25000
LED chip:	San'an
SDCM:	6
Driver Type:	Constant Current 11.4mA
Inrush Current at Start Up:	11.8A
Product Voltage:	220-240V
Hertz:	50/60
Surge Protection (KV):	1
Operating Temp.:	-20 to 40 Degree
IP Rating:	IP20
Product Weight (KG):	0.17
Cut-out:	Ø54mm
Minimum Cavity Depth:	20mm
Cable Length:	1m
Cable Spec.:	H03VVH2-F 2x0.75mm ²
Class:	2



ACCESSORIES

95284, PIR mini