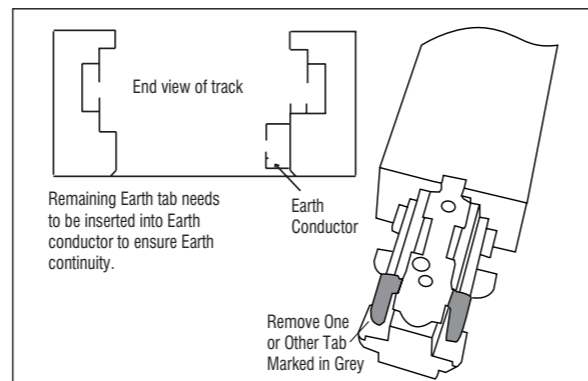


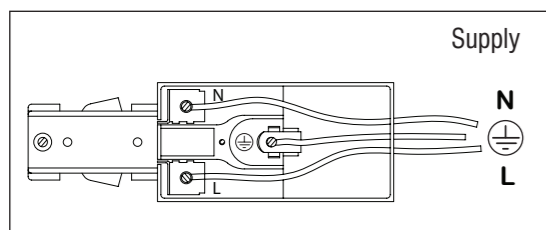
Connection

- The track accessories are provided with earth connection points on both sides.
- When offering the accessory to the track, verify which tab needs to be removed. (See left hand diagram).
- To remove the tab, grasp firmly with a pair of pliers and lever back. The tab should snap cleanly off. (See right hand diagram).
- Locate the accessory in the track and push home.



Wiring

- Undo the screw and remove the cover from the live end. Push out the desired cable access point.
- Identify the correct cable from the supply and pull through.
- Connect the supply wires to the terminal block, opposite the corresponding wires from the fitting. The central connector can also be wired in this way.
- Refit the cover onto the live end taking care not to trap the cable.



Check that

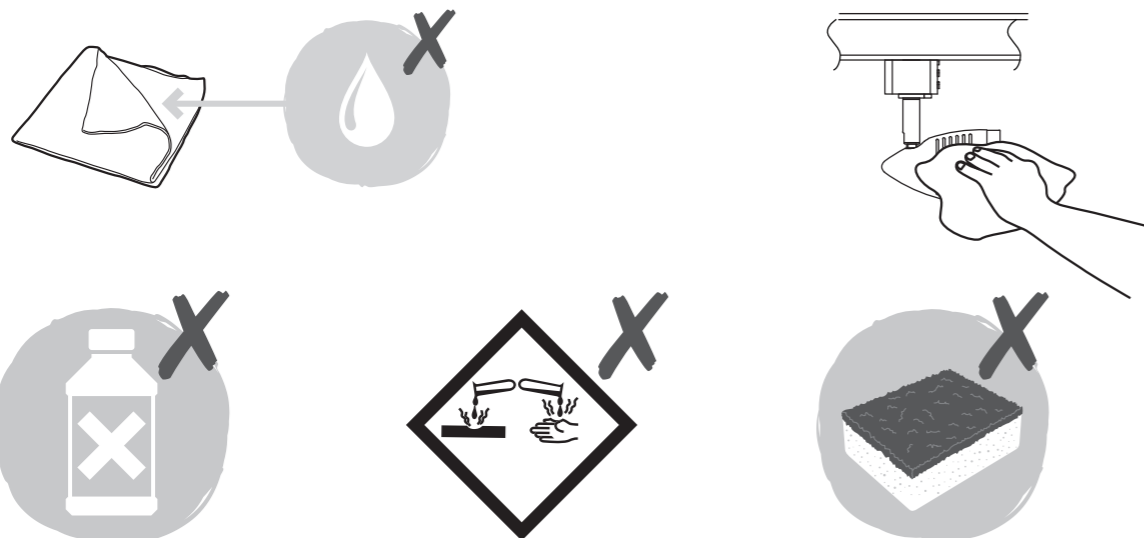
- You have correctly identified the wires.
- The connections are tight.
- No loose strands have been left out of the connection block.

Fitting Units

- Locate the product in the track with the connections in the slot.
- Slide the tab down, and rotate the product 90 degrees to engage the connections in the track.
- Allow the tab to slide back up and ensure that it is located correctly in the track slot.
- Replace fuse or circuit breaker and switch on. Your light is now ready for use.

Care and Safety

- We recommend cleaning with a soft dry cloth. Do not use solvents or abrasive cleaners as these could damage the finish.
- Always disconnect the product from mains at least 10 minutes allowing to cool down before any maintenance or adjustment.
- For your safety, always switch off the power supply before cleaning.



Instruction leaflet



Monte Track spotlight
42315, 42316, 71899



Bullett Track spotlight
71886, 72718, 3TH113W



Conor Track spotlight
78650, 78651, 3TH139W

Thank you for purchasing this light fitting. Please read the instruction carefully before use to ensure safe and satisfactory operation of this product. Please retain these instruction for future reference.

Warning

Please read these instructions carefully before commencing any work.

This unit must be fitted by a competent and qualified electrician.

Install in accordance with IEE Wiring regulations and current Building Regulations.

Check the pack and make sure you have all of the parts listed.

To prevent electrocution switch off at mains supply before installing or maintaining this fitting.

Ensure other persons cannot restore the electrical supply without your knowledge.

If replacing an existing fitting, make a careful note of the connections.

If replacing an existing fitting, make a careful note of the connections.

This light fitting should be connected to a fused circuit.





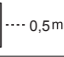

Always use the correct type and wattage bulb. Exceeding the bulb wattage will damage the product.

This track is suitable for dimming. Fittings with low voltage lamps are not suitable for dimming.

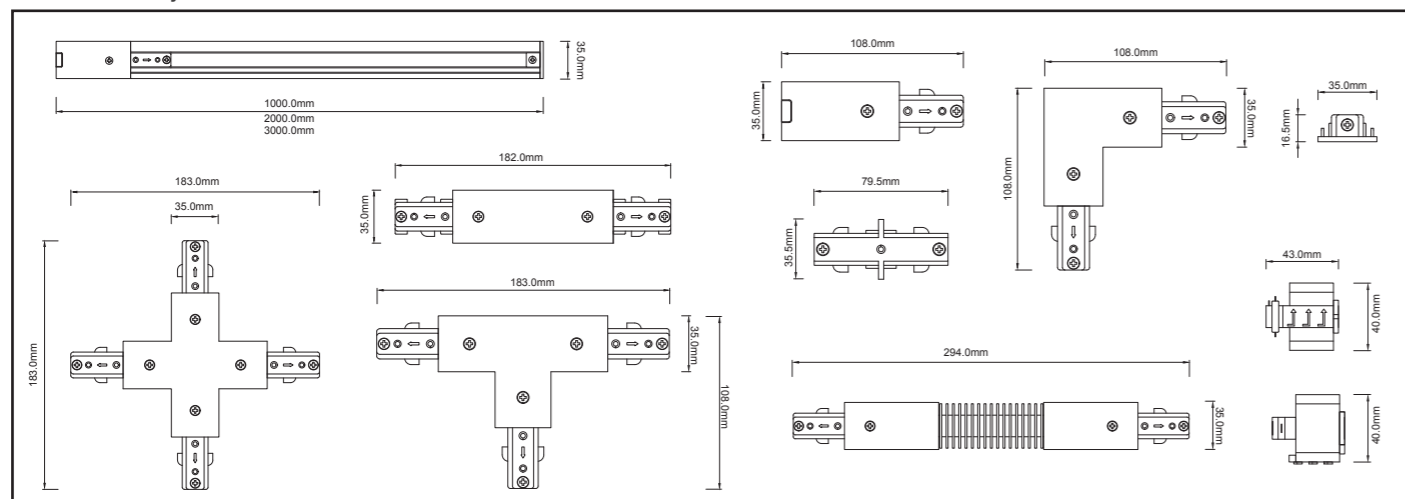
Care must be taken to only use the same type of fitting that is able to be dimmed, and that the dimmer wattage must not be exceeded.

Waste electrical products should not be disposed of with household waste. Please recycle where facilities exist. Check with your local authority or retailer for recycling advice.

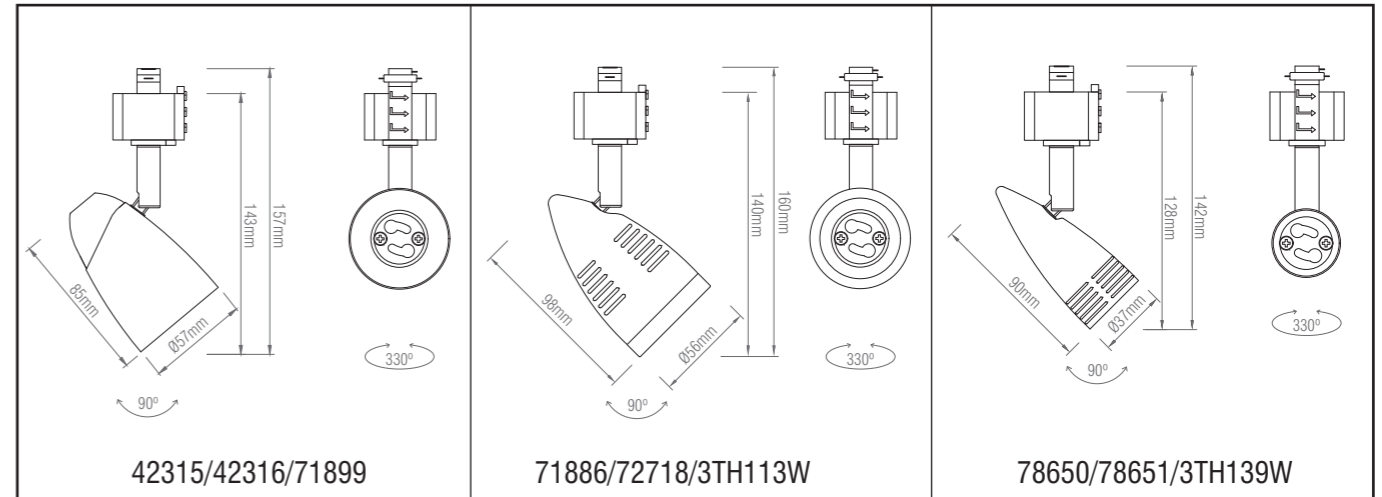
Technical data

Supply Voltage:	220-240 V~, 50 Hz
Bulb Type:	42315/42316/71899-----1 x Max. 6W LED GU10 (required) 71886/72718/3TH113W-----1 x Max. 7W LED GU10 (required) 78650/78651/3TH139W-----1 x Max. 50W GU10 (required)
	Conformity with all relevant UKCA Directive requirements.
	Conformity with all relevant EC Directive requirements.
	Waste electrical products should not be disposed of with household waste. Please recycle where facilities exist. Check with your Local Authority or local store for recycling advice.
	Luminaire designed to be used only with self-shielded tungsten halogen lamps.
	Minimum distance from lighted objects (0.5 metres)
	Class I product, must be connected to earth.

Track accessory

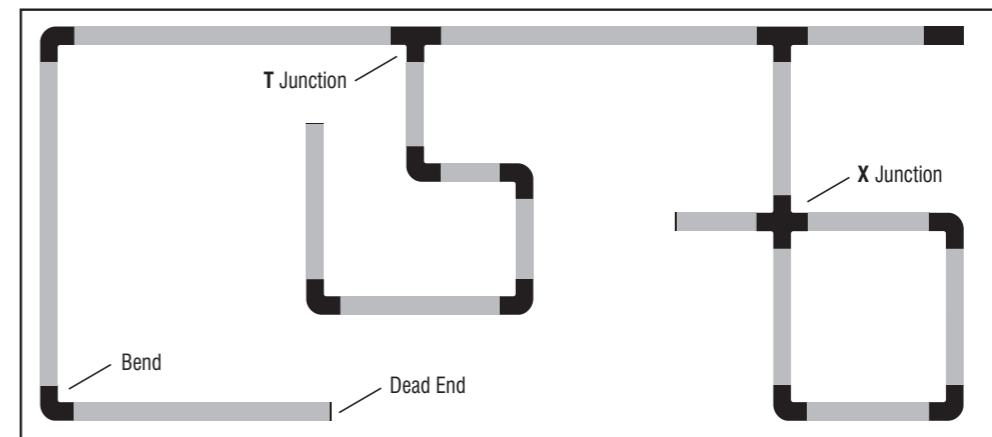


Products



Layout

This track system can be extended to a variety of different configurations using accessories such as left bends, right bends, T junctions, X junctions and flexible joints.



* Max total length of track / load

Item	Model	Component for track system	Rating input	Max total load weight	Max total length of track
1	78654 / 78655 / 78656	1 meter 3 wire track	220-240VAC, 16A	Max. 15kg	50M
2	78657 / 78658 / 78659	2 meter 3 wire track	220-240VAC, 16A	Max. 20kg	
3	78660 / 78661 / 78662	3 meter 3 wire track	220-240VAC, 16A	Max. 30kg	

Installation

- Plan the track layout and decide accessories needed before fixing anything to the ceiling.
- The maximum power per run of track is 1kW (1000W).
- Ensure the ceiling is capable of holding the weight of the track and products. Take care to avoid damaging any concealed wiring and pipes. The correct fixings should be used for brick, cavity walls or plasterboard.
- Mark the first hole position and fit the screw in position as shown.
- Feed the screw through the keyhole slot, and slide into position. Mark the position of the second hole.
- Locate the track and fit the second screw into position.
- If fitting accessories, remove the end cap, and push them firmly home. Fit extra lengths of track as required.

