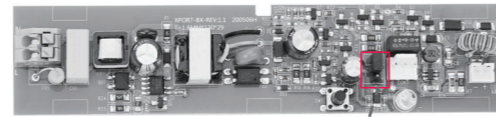
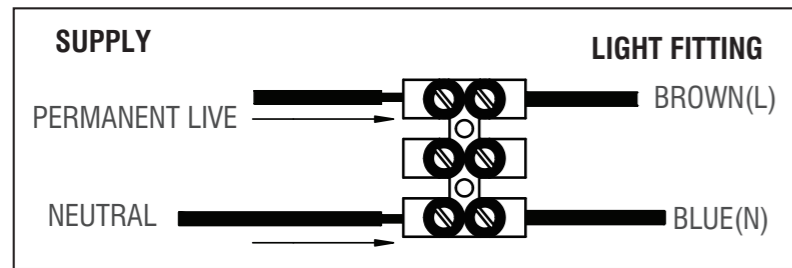
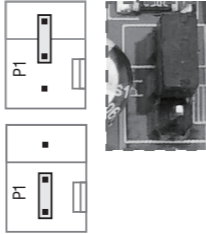


Wiring

- This product is double insulated and must not be earthed. If there are any incoming earth cables, they must be joined together and well insulated with good quality insulation tape. This is to ensure earth continuity throughout your property.
- Having correctly identified the wiring from your existing light fitting, connect to the quick fit connection block in the following way.



• Default working mode:
maintained working mode



• If using non-maintained
working mode, keep "P1"
jump connected.

Check that...

- You have correctly identified the wires.
- The connections are tight.
- No loose strands have been left out of the connection block.

Battery Replacement

If after routine operation check, the lamp does not remain lit for the three hour period, a new battery pack may be required.

- Switch off the electricity at the mains, both switched and permanent supply.
- Allow batteries to fully discharge then reconnect to supply and allow to charge for 24 hours.
- Test again for 3 hours, if light does not remain lit change the battery pack as follows:
 - Disconnect from the mains supply both permanent and switched supply.
 - Undo the screw at the end of the product, open the rear casing by using the slotted screwdriver. Keep screws in safe place for refitting later.
 - Unplug the battery lead from the lead coming from the PCBA. Remove any cable ties around the cables.
 - Remove the battery pack and lift the battery pack out of the fitting. Waste electrical products should not be disposed of with household waste. Please recycle where facilities exist. Check with your local authority or retailer for recycling advice.
 - **Replace the battery with a LiFePO4 3.2V 600mAh only.** Use of a different type of battery will damage the product.
 - Write current date on the new battery pack.
 - Fit new battery pack in position. Refit the cable ties in position and then plug battery pack into the PCBA. Attention not to remove the cushion of stability
 - Replacing the rear casing, then secure it with screws.
 - Restore power and allow to charge for 24 hours.
 - Perform full operation check and update test record.

Care and Safety

Live Voltages may be present in this unit even when turned off or when completely disconnected. We recommend cleaning with a soft dry cloth. Do not use solvents or abrasive cleaners as these could damage the finish. For your safety, always switch off the power supply before cleaning.

Instruction manual


Sight 6-in-1

108750



Thank you for purchasing this light fitting. Please read the instructions carefully before use to ensure safe and satisfactory operation of this product. Please retain these instructions for future reference.

Warning

 This light fitting is double insulated and does not require connection to an Earth circuit.

Please read these instructions carefully before commencing any work

This unit must be fitted by a competent and qualified electrician.

Install in accordance with the IEE Wiring regulations and current Building Regulations.

Check the pack and make sure you have all the parts listed.

To prevent electrocution switch off at the mains supply before installing or maintaining this fitting. Ensure other persons cannot restore the electrical supply without your knowledge. If you are in any doubt, please consult a qualified electrician.

This light fitting should be connected to a fused circuit.

If replacing an existing fitting, make a careful note of the connections.

These products should not be fitted to PIR circuits or short duration timed switches.

This product is not suitable for dimming.

Do not use Megger or similar high voltage instruments. Due to the fact this Emergency pack contains electronic components that maybe damaged by high test voltages, they must be disconnected from the circuit before testing.

To prevent damage to the Emergency pack, do not mix with conventional magnetic ballasts on the same electrical circuit.

Any faulty, broken or damaged modules should be replaced immediately.

Do not mount in hazardous locations, or near gas or electric heaters; Do not let power cords touch hot surface; Do not use this equipment for other than intended use.

Equipment should be mounted in locations and at heights where it will not be subjected to tampering by unauthorized personnel.

The use of accessory equipment not recommend by the manufacturer may cause an unsafe condition.

Allow battery to charge for 24 hours before first use.

Waste electrical products should not be disposed of with household waste. Please recycle where facilities exist. Check with your local authority or retailer for recycling advice.

Technical data


Supply Voltage: 220-240V~, 50Hz


Bulb Type: 3.5W LED (SMD), 6500K Lumens: 110Lm - 50Lm in EM mode

The light source of this luminaire is not replaceable; when the light source reaches its end of life the whole luminaire shall be replaced.

 Conformity with all relevant UKCA Directive requirements.

 Conformity with all relevant EC Directive requirements.

 The power supply is Double Insulated and does not require connection to an Earth circuit.

 Waste electrical products should not be disposed of with household waste. Please recycle where facilities exist. Check with your Local Authority or local store for recycling advice.

Duration: 3 hours (180 minutes)

Maximum Operatin Humidity: 10-70%

Change over Time: Approximately 1s

Battery Specification: LiFePO4 3.2V 600mAh

Battery Charge Time: 24 hours

Battery warranty: 5 years

Operating Temperature: 0°C to 45°C

Layout

Plan the desired layout of these fittings carefully, ensuring the cables will reach the distances between fittings.

Avoid locating any cables in positions that would cause a hazard. Position cables away from areas where they may be at risk from being cut, trapped or damaged

The mains supply cable must have a minimum cross section area of 1.0mm².

This product is designed to be fitted into a suspended ceiling or wall mounted.

Installation

Existing fittings must be completely removed before installation of a new product. Before removing the existing fitting, carefully note the position of each set of wires. Note that the switch is turned off before installation.

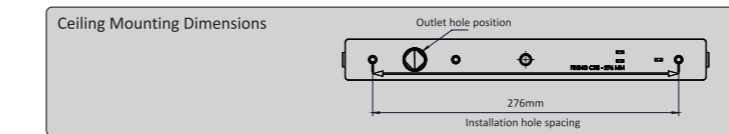
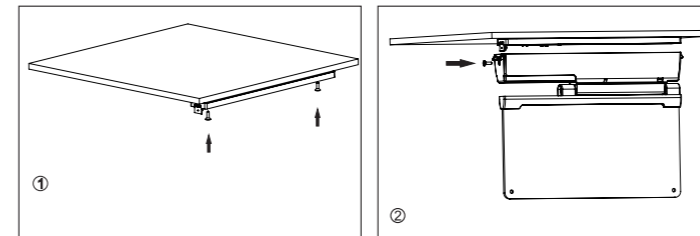
After deciding the layout of the light fittings ensure that the cables are long enough to connect to desired positions.

Connect wires properly to the terminal at the bottom of the luminaire.

This product can has 6 mounted options in combination with the corresponding accessories: **Ceiling mounted**, **Wall flag mounted**, **Track mounted**, **Wall mounted**, **Suspended mounted** and **Recessed mounted**. Choose your preferred location and follow the relevant instructions listed below and referring to the corresponding drawings.

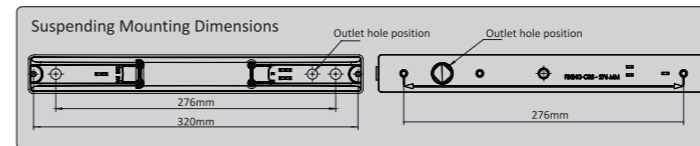
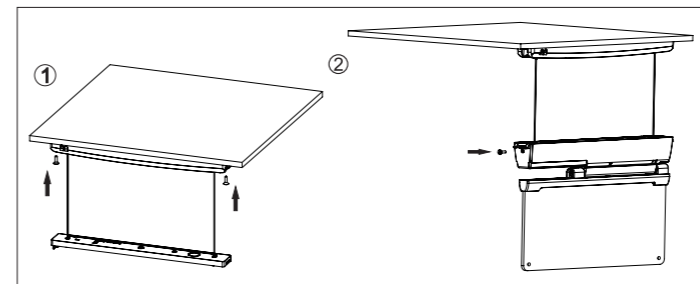
1. Ceiling Mounted

- Please install the bottom kit on to the ceiling.
- Click the luminaire main body into the bottom kit, then fasten the screw on the side.



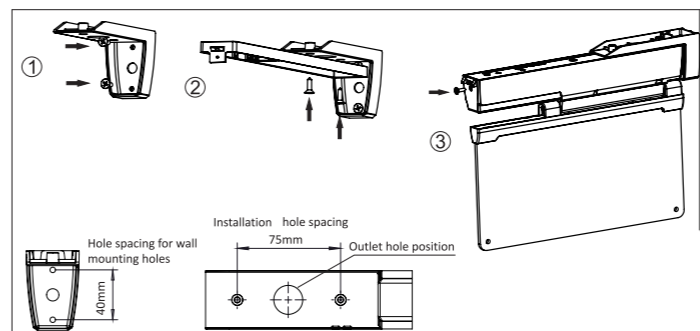
3. Suspended Mounted

- Use 2 steel cables to go through bottom kit and fix the cable on bottom kit, install the suspending bracket on the ceiling.
- Click the luminaire main body into the bottom kit, then fasten the screw on the side.



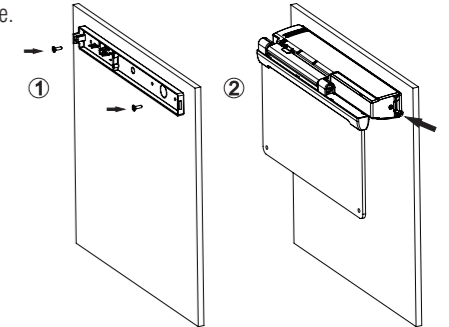
5. Wall Flag Mounted (purchase accessory 108752 separately)

- Install the flag mounting kit onto the side wall.
- Fix the bottom kit with the flag mounting kit with screws.
- Click the luminaire main body into the bottom kit, then fasten the screw on the side.



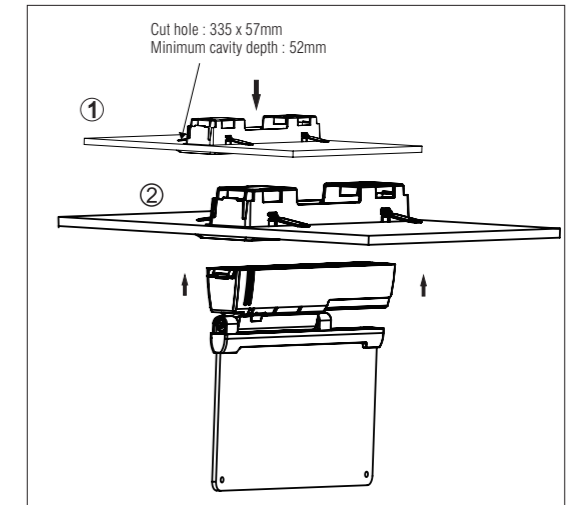
2. Wall Mounted

- Please install the bottom kit on to the ceiling.
- Click the luminaire main body into the bottom kit, then fasten the screw on the side.



4. Recessed Mounted (purchase accessory 108751 separately)

- Install the recessing mounting kit into the cutting hole properly.
- Connect the wire into the luminaire, and fix the luminaire into recessing mounting kit.



6. Track Mounted (purchase accessory 108753 separately)

- Fix the bottom part onto the track adaptor and wiring.
- After wiring, fix the luminaire main body into the bottom kit, then fasten the screw on the side.
- Install the track adapter into the tracking system (3 phase).

