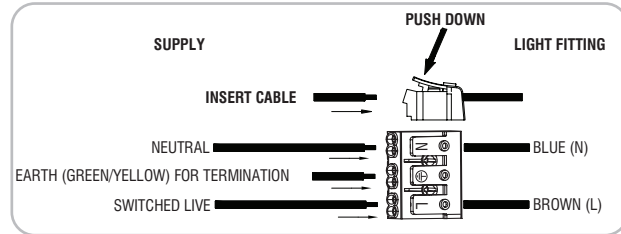


## Wiring

Unclip the cover from the quick fit connection block at the end of the driver. Having correctly identified the wiring from your existing light fitting, pull the mains wire through the hole and connect to the connection block inside the quick fit connection case in the following way.



### Check that...

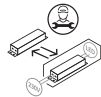
You have correctly identified the wires.  
The connections are tight.  
No loose strands have been left out of the connection block.

## Technical data

Supply Voltage: 220-240 V~, 50 Hz

Bulb Type: 9W LED module (SMD) 4CCT, 2700/3000/4000/6000K  
This product contains a light source of energy efficiency class **E**.

  Non-replaceable light source



Replaceable control gear by a professional



Conformity with all relevant UKCA Directive requirements.



Conformity with all relevant EC Directive requirements.



The power supply is Double Insulated and does not require connection to an Earth circuit.



Waste electrical products should not be disposed of with household waste. Please recycle where facilities exist. Check with your Local Authority or local store for recycling advice.



This product is suitable for dimming.



This product fire rated to 30, 60 & 90 minutes.



This product is rated at IP65.

## Care and Safety

We recommend cleaning with a soft dry cloth. Do not use solvents or abrasive cleaners as these could damage the finish.

For your safety, always switch off the power supply before cleaning.

For further information, please visit <https://www.lighting-info.co.uk/102669>

V2 23/07/2024

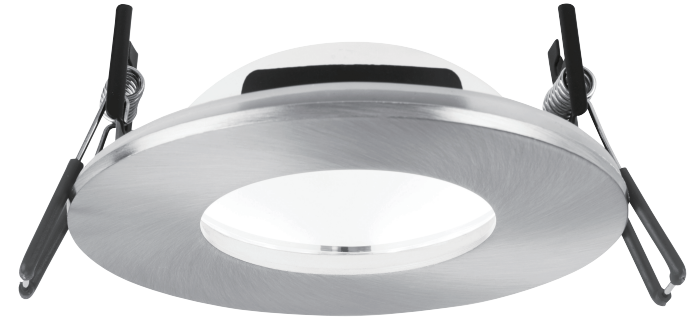
UK Manufacturer: BH17 7BY  
EU Manufacturer: Brilliant AG,  
Brilliantstrasse 1, D-27442 Gnarrenburg

saxby  
lighting

Instruction manual

# OrbitalPro 4CCT

102669, 102670, 112543, 112544




[www.saxbylighting.com](http://www.saxbylighting.com)

saxby  
lighting

Thank you for purchasing this light fitting. Please read the instructions carefully before use to ensure safe and satisfactory operation of this product. Please retain these instructions for future reference.

## Warning

 This light fitting is double insulated and does not require connection to an earth circuit.

Please read these instructions carefully before commencing any work

This unit must be fitted by a competent and qualified electrician.

Install in accordance with the IEE Wiring regulations and current Building Regulations.

Check the pack and make sure you have all the parts listed.

This system operates at Safety Extra Low Voltage, via the supplied LED driver, Never connect the light fittings directly to the mains without using the supplied LED driver.

Always disconnect the LED driver from the mains when installing or maintaining this system.

To prevent electrocution switch off at the mains supply before installing or maintaining this fitting. Ensure other persons cannot restore the electrical supply without your knowledge. If you are in any doubt, please consult a qualified electrician.

This light fitting should be connected to a circuit with a 30mA RCD fitted.

If replacing an existing fitting, make a careful note of the connections.

This product complies with Building Regulations Part B and is suitable for use in 30, 60 & 90 minute fire rated ceilings.

Waste electrical products should not be disposed of with household waste. Please recycle where facilities exist. Check with your local authority or retailer for recycling advice.

## Layout

Plan the desired layout of these fittings carefully, ensuring the cables will reach the distances between the transformer and each light fitting.

Avoid locating any cables in positions that would cause a hazard. Position cables and junction boxes (not supplied) away from areas where they may be at risk from being cut, trapped or damaged.

The mains supply cable must have a minimum cross section area of 1.0mm<sup>2</sup>.

Cables must be protected using suitable conduit or plastic trunking.

The unit must be located a minimum distance of 50mm from a joist.

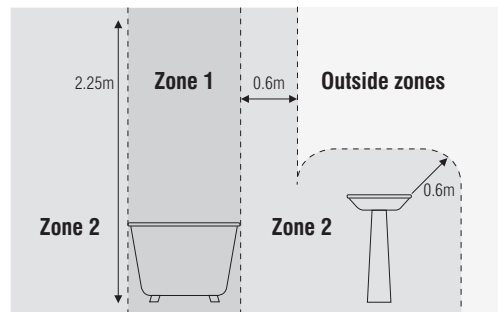
The distance between units must be 0.5m minimum.

This product must be mounted out of arms reach.

This product is suitable for covering with insulation 270mm.

This product is suitable for use in outside zones of a bathroom and Zone 2. Please see diagram.

If this unit is being fitted in a room containing a bath or shower, a 30mA RCD must be used - in accordance with IEE regulations.



## Installation

Existing fittings must be completely removed before installation of a new product. Before removing the existing fitting, carefully note the position of each set of wires.

The ceiling surface must be flat and smooth to ensure a good fit.

Note that the switch is turned off before installation.

Ensure that the screws and cable entry points are sealed to maintain the IP rating of the product.

This product is colour changing and can be either warm white (2700/3000K) or cool white (4000K) or daylight white (6000K). Choose your preferred colour before installing by using the CCT switch.

### CCT Switch

Owing to its unique construction and heat dissipation the product can be covered directly with insulation when installed in the ceiling. Ensure a minimum ceiling void depth of 45mm is available.

Position the LED Driver next to mains outlet that the system will connect to do not connect at this stage.



Cut a mounting hole 97mm diameter in the ceiling taking care not to foul any pipes, mains cables or joists beneath the surface. It is always recommended to cut the hole slightly smaller than the size specified, and then file the hole until the recessed unit fits snugly.

Push the spring clips upwards and fit into the ceiling hole.

Push the unit up until firmly in position. Ensure that the product is fitted properly in the hole.

Replace fuse or circuit breaker and switch on. Your light is now ready for use.

