

Technical data

Supply Voltage: 220-240 V~, 50 Hz

Bulb Type: 2.5W LED module (SMD) CCT, 3000K/4000K/6500K
This product contains a light source of energy efficiency class **G**.

 Non-replaceable light source


 Non-replaceable control gear


 Conformity with all relevant UKCA Directive requirements.

 Conformity with all relevant EC Directive requirements.

 The power supply is Double Insulated and does not require connection to an Earth circuit.

 Waste electrical products should not be disposed of with household waste. Please recycle where facilities exist. Check with your Local Authority or local store for recycling advice.

 This product is not suitable for dimming.

 Caution! Risk of electric shock!

Care and Safety

Always switch off or disconnect from the mains when cleaning the product.

We recommend cleaning with a soft dry cloth. Never use scourers, abrasives or chemical cleaners.

Do not allow moisture to come into contact with electric parts.

For your safety, always switch off the power supply before cleaning.

Instruction manual

Nyx CCT

90127, 103031



For further information, please visit <https://www.lighting-info.co.uk/90127>

V3 18/07/2022
UK Manufacturer: BH17 7BY
EU Manufacturer: Brilliant AG,
Brillantstrasse 1, D-27442 Gnarrenburg


saxby
lighting

www.saxbylighting.com

saxby
lighting

Thank you for purchasing this light fitting. Please read the instructions carefully before use to ensure safe and satisfactory operation of this product. Please retain these instructions for future reference.

Warning

 This light fitting is double insulated and does not require connection to an Earth circuit.

Please read these instructions carefully before commencing any work.

This unit must be fitted by a competent and qualified electrician.

Install in accordance with the IEE Wiring regulations and current Building Regulations.

Check the pack and make sure you have all the parts listed.

To prevent electrocution switch off at the mains supply before installing or maintaining this fitting. Ensure other persons cannot restore the electrical supply without your knowledge. If you are in any doubt, please consult a qualified electrician.

If replacing an existing fitting, make a careful note of the connections.

Waste electrical products should not be disposed of with household waste. Please recycle where facilities exist. Check with your local authority or retailer for recycling advice.

Layout

Plan the desired layout of these fittings carefully.

This product is designed for use under Kitchen cupboards, bookshelves, cabinets etc. Suitable for indoor use only. Not suitable for bathrooms.

Do not attach to surfaces which are damp, freshly painted or otherwise electrically conductive (e.g. metallic surfaces).

The chosen location should allow for the product to be securely mounted and safely connected to the mains supply (240V wall socket).

Ensure that there is adequate ventilation for the light fitting.

Avoid locating any cables in positions that would cause a hazard. Position cables and connectors away from areas where they may be at risk from being cut, trapped or damaged.

The mains supply cable must have a minimum cross section area of 1.0mm².

Cables that are to be in walls must be protected using suitable conduit or plastic trunking.

Installation

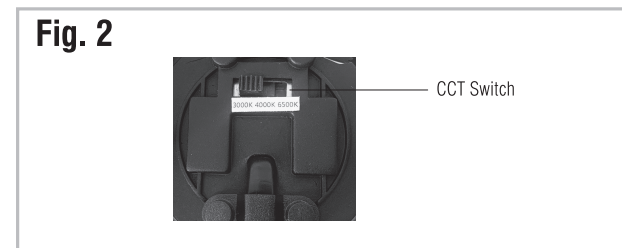
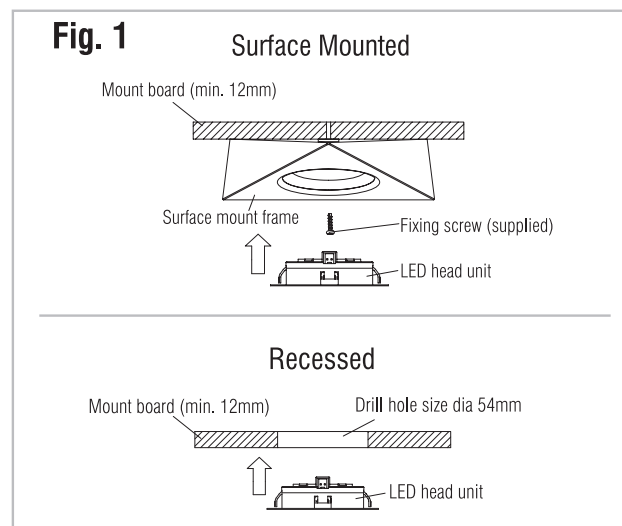
Existing fittings must be completely removed before installation of a new product. Before removing the existing fitting, carefully note the position of each set of wires.

Note that the switch is turned off before installation.

The ceiling surface must be flat and smooth to ensure a good fit.

- Lay out / measure the positions of the head units as desired. Ensure you route cables to avoid accident or damage occurring. Cables can be taped to mounting surface after installation.
- These fittings can be surface mounted using the supplied bracket or can be recessed without the bracket (**Fig. 1**). Carefully push on the rear of the head and separate the LED head unit from the mount bracket.
- For recessed fitting, cut a 54mm hole in the mounting surface and the minimum mount board thickness is 12mm.
- Ensure a minimum ceiling void depth of 20mm is available.

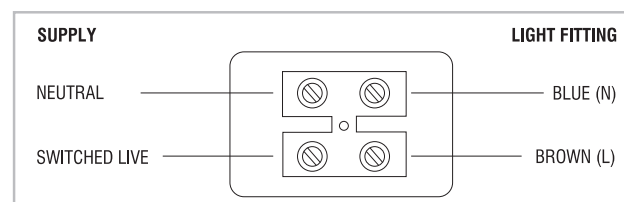
- For surface mounted fitting, fix the bracket onto the mounting surface by the fixing screws provided.
- This product is colour changing and can be either warm white (3000K) or cool white (4000K) or daylight white (6500K). Choose your preferred colour before installing by flicking the switch on the back of the product (**Fig. 2**).
- After the bracket are fixed, carefully push the LED head unit back into position (mount bracket or recessed cut hole)
- Replace fuse or circuit breaker and switch on, your lights are now ready for use.



Wiring

This product is double insulated and must not be earthed.

- If there are any incoming earth cables, they must be joined together and well insulated with good quality insulation tape. This is to ensure earth continuity throughout your property.
- having correctly identified the wiring from your existing light fitting and connect to the terminal block (not supplied) in the following way:



Check that...

You have correctly identified the wires. The connections are tight. No loose strands have been left out of the connection block.