

Technical data

Supply Voltage: 220-240 V~, 50 Hz

Bulb Type: 1W Hi Power LED module (SMD), 3000K

This product contains a light source of energy efficiency class **F**.



Conformity with all relevant UKCA Directive requirements.



Conformity with all relevant EC Directive requirements.



This product is Class 1, must be connected to earth.



Waste electrical products should not be disposed of with household waste. Please recycle where facilities exist. Check with your Local Authority or local store for recycling advice.



This product is not suitable for dimming.

Care and Safety

We recommend cleaning with a soft dry cloth. Do not use solvents or abrasive cleaners as these could damage the finish.

For your safety, always switch off the power supply before cleaning.

The LED lamp in this product is non-replaceable. At the end of its useful life the product must be disposed of responsibly - and not with normal household waste.

Instruction manual

Madison Wall

50605, 50606



For further information, please visit <https://www.lighting-info.co.uk/50605>

V6 24/07/2023

UK Manufacturer: BH17 7BY

EU Manufacturer: Brilliant AG,
Brilliantstrasse 1, D-27442 Gnarrenburg

saxby
lighting

www.saxbylighting.com

saxby
lighting

Thank you for purchasing this light fitting. Please read the instructions carefully before use to ensure safe and satisfactory operation of this product. Please retain these instructions for future reference.

Warning

This is a Class 1 product and must be earthed.

Please read these instructions carefully before commencing any work.

This unit must be fitted by a competent and qualified electrician.

Check the pack and make sure you have all the parts listed.

Install in accordance with the IEE Wiring regulations and current Building Regulations.

To prevent electrocution switch off at mains supply before installing or maintaining this fitting. Ensure other persons cannot restore the electrical supply without your knowledge. If you are in any doubt, please consult a qualified electrician.

This light fitting should be connected to a 5 amp fused circuit.

If replacing an existing fitting, make a careful note of the connections.

This product is suitable for indoor use only, on normal flammable surfaces.

This product contains non-replaceable parts and cannot be serviced. If damage occurs the part should be scrapped.

Waste electrical products should not be disposed of with household waste. Please recycle where facilities exist. Check with your local authority or retailer for recycling advice.

Layout

Plan the desired layout of these fittings carefully, ensuring the cables will reach the distance between the junction box and the light fitting.

Avoid locating any cables in positions that would cause a hazard. Position cables and junction boxes (not supplied) away from areas where they may be at risk from being cut, trapped or damaged.

The mains supply cable must have a minimum cross sectional area of 1.0mm²

Cables must be protected using suitable conduit or plastic trunking.

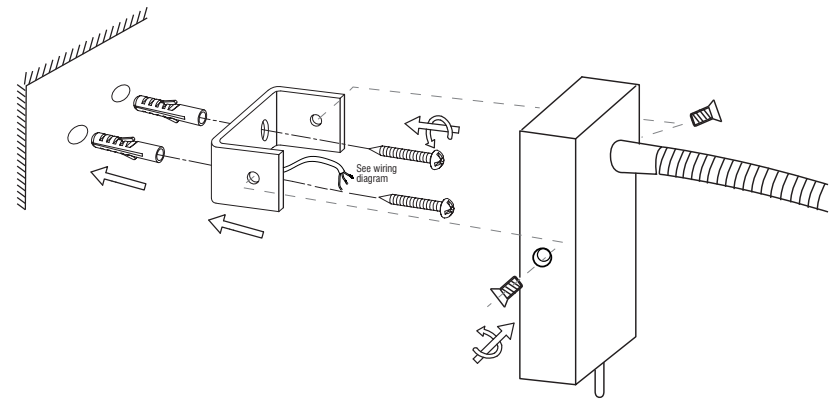
Installation

Existing fittings must be completely removed before installation of a new product. Before removing the existing fitting, carefully note the position of each set of wires.

Note that the switch is turned off before installation.

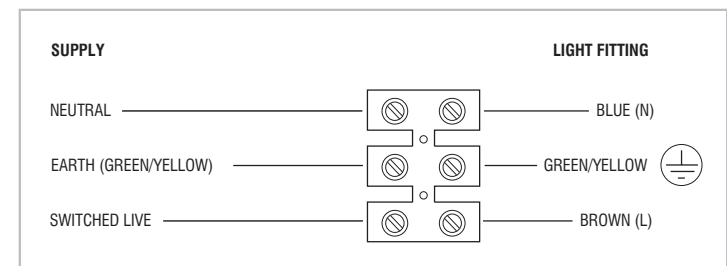
Determine the position of your light fitting taking into account the entry position of the cable and make sure there is sufficient cable coming out of the wall to connect to the terminal block. Ensure that the mounting surface is solid, preferably a brick or block wall and ensure that there are no other cables or pipes beneath the surface.

- Unscrew two fixing screws on the both side of the product to remove the fixing bracket.
- Using the fixing bracket as a template and mark the fixing holes, making sure the fixing bracket is correctly aligned so that the top of it is horizontal. Use supplied plugs and screws to secure the fixing bracket to the wall.
- Pull the mains cable, then wire as wiring diagram.
- Refit the product to the fixing bracket. Secure in place by refitting the side fixing screws. Be careful not to trap any wiring.
- Replace fuse or circuit breaker and switch on. Your light is now ready for use.



Wiring

Having correctly identified the wiring from your existing light fitting, pull the wire through the hole and connect to the terminal block inside the product in the following way:



Check that...

- You have correctly identified the wires.
- The connections are tight.
- No loose strands have been left out of the connection block.