

Commissioning

- Fit the other ceiling cover to the ceiling so both ends of the product are supported.
- Ensure the weight of the product is supported on the steel cables and not the electrical flex.
- Replace fuse or circuit breaker and switch on. Your light is now ready for use.

Technical data

Supply Voltage: 220-240 V~, 50 Hz

Bulb 59995 : 18W/24W LED module (SMD), CCT 3000/4000/6000K

Type: 59996 : 36W/48W LED module (SMD), CCT 3000/4000/6000K

This product contains a light source of energy efficiency class **D**.



Conformity with all relevant UKCA Directive requirements.



Conformity with all relevant EC Directive requirements.



This product is Class 1, must be connected to earth.



Waste electrical products should not be disposed of with household waste. Please recycle where facilities exist. Check with your Local Authority or local store for recycling advice.



This product is not suitable for dimming.

Care and Safety

Live Voltages may be present in this unit even when turned off or when completely disconnected.

We recommend cleaning with a soft dry cloth. Do not use solvents or abrasive cleaners as these could damage the finish.

For your safety, always switch off the power supply before cleaning.

For further information, please visit <https://www.lighting-info.co.uk/59995>

V6 18/03/2023

UK Manufacturer: BH17 7BY

EU Manufacturer: Brilliant AG,
Brilliantstrasse 1, D-27442 Gnarrenburg

saxby
lighting

Instruction manual

Borde CCT Pendant

59995, 59996



www.saxbylighting.com

saxby
lighting

Thank you for purchasing this light fitting. Please read the instructions carefully before use to ensure safe and satisfactory operation of this product. Please retain these instructions for future reference.

Warning

This is a Class 1 product and must be earthed.

Please read these instructions carefully before commencing any work.

This unit must be fitted by a competent and qualified electrician.

Check the pack and make sure you have all the parts listed.

Install in accordance with the IEE Wiring regulations and current Building Regulations.

To prevent electrocution switch off at mains supply before installing or maintaining this fitting. Ensure other persons cannot restore the electrical supply without your knowledge. If you are in any doubt, please consult a qualified electrician.

This light fitting should be connected to a fused circuit.

If replacing an existing fitting, make a careful note of the connections.

This product contains non-replaceable parts and cannot be serviced. If damage occurs the part should be scrapped.

Waste electrical products should not be disposed of with household waste. Please recycle where facilities exist. Check with your local authority or retailer for recycling advice.

Layout

Plan the desired layout of these fittings carefully, ensuring the cables will reach the distance between the junction box and the light fitting.

Avoid locating any cables in positions that would cause a hazard. Position cables away from areas where they may be at risk from being cut, trapped or damaged.

The mains supply cable must have a minimum cross sectional area of 1.0mm².

Cables must be protected using suitable conduit or plastic trunking.

Ensure the ceiling or wall is capable of holding the weight of the product .

Installation

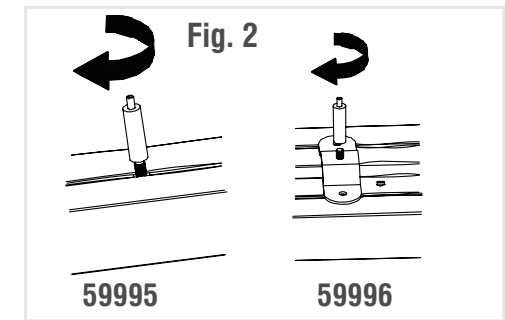
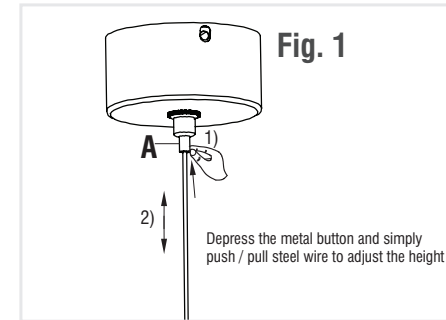
Existing fittings must be completely removed before installation of a new product. Before removing the existing fitting, **carefully note the position of each set of wires.**

Note that the switch is turned off before installation.

The mounting surface must be flat and smooth to ensure a good fit.

The installation of this fitting will be much easier with the help of an assistant.

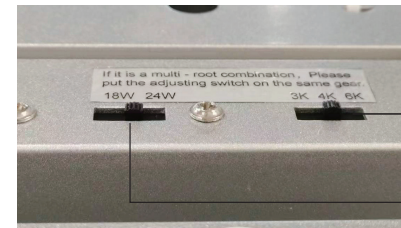
- This product has two ceiling covers. Remove both fixing straps and attach them to the ceiling with the fixings provided. Check and measure the distance for the fixing straps/holes so the fixing cables hang vertically. Optimum distance between suspension cables is 800mm (345mm from each end) to allow power cable to be routed along suspension cable. Ensure the ceiling is capable of holding the weight of the product. Take care to avoid damaging any wiring or pipes.
- Decide the height at which the product will hang. There is a button in the middle of both ceiling covers (**Fig. 1**). Push the button (**A**) to reduce the height (if required). Make sure both fixing cables are adjusted to the same length to ensure the product hangs level.
- Fit the suspension cables to the product. Simply screw the rods at the end of the suspension cables into the holes into the module pendant (**Fig. 2**). Fit one ceiling cover to the ceiling so one end is supported. Support the other end to enable wiring connections to be made.
- Connect the supply cable to the quick fit terminal block as the details wiring diagram.



The wattage is changeable between **18W/24W** using the wattage switch for 59995. For the 59996, It is the 2- roots combination, there are **two18W/24W** selectable, Please put the adjusting switch on the same gear.

The colour is changeable between **3000/4000/6000K** using the CCT switch.

Choose your preferred wattage/colour before installing by using the switch on back of the product.



If it is a multi - root combination, Please put the adjusting switch on the same gear.

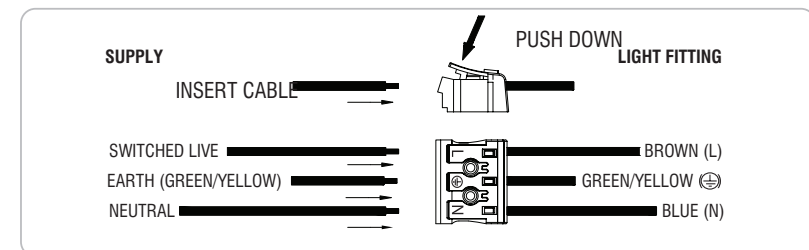
CCT Switch

Wattage Switch

Wiring

This product is Class I product must be earthed. They must be joined together and well insulated with good quality insulation tape. This is to ensure earth continuity throughout your property.

Having correctly identified the wiring from your existing light fitting and connect to the connection block inside the product in the following way:



Check that...

- You have correctly identified the wires.
- The connections are tight.
- No loose strands have been left out of the connection block.