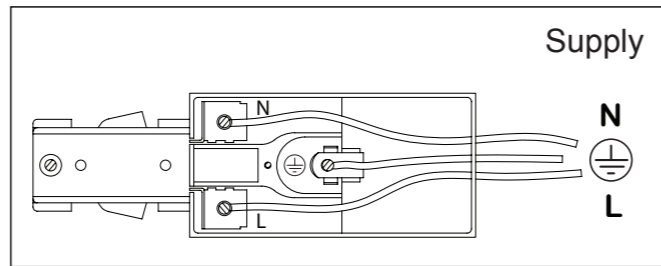


Wiring

Undo the screw and remove the cover from the live end. Push out the desired cable access point. Identify the correct cable from the supply and pull through.

Connect the supply wires to the terminal block, opposite the corresponding wires from the fitting. The central connector can also be wired in this way.

Refit the cover onto the live end taking care not to trap the cable.

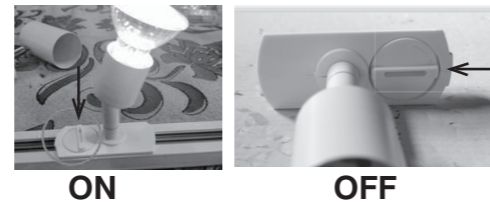


Check that...

- You have correctly identified the wires.
- The connections are tight.
- No loose strands have been left out of the connection block.

Fitting Units

- Locate the product in the track with the connections in the slot.
- There is a rotary switch on the track head. The fitting will be turned on when the rotary switch is in the ON position, and when it is turned 90° the fitting will be OFF.
- Replace fuse or circuit breaker and switch on. Your light is now ready for use.



Technical data

Supply Voltage: 220-240 V~, 50 Hz

Bulb Type: 103844, 103845, 103846, 1 x Max. 35W GU10 (required)
103847, 103848, 103849, 1 x Max. 7W LED GU10 (required)



Conformity with all relevant UKCA Directive requirements.



Conformity with all relevant EC Directive requirements.



This product is Class 1, must be connected to earth.



Waste electrical products should not be disposed of with household waste. Please recycle where facilities exist. Check with your Local Authority or local store for recycling advice.



This product is for indoor use only.



Spotlights give a concentrated beam of light and must not be positioned any closer than 0.5M (50cm) to the illuminated surface.

Care and Safety

- We recommend cleaning with a soft dry cloth. Do not use solvents or abrasive cleaners as these could damage the finish.
- Always disconnect the product from mains at least 10 minutes allowing to cool down before any maintenance or adjustment.
- For your safety, always switch off the power supply before cleaning.

Instruction manual

Arezzo Track Head

103844, 103845, 103846, 103847, 103848, 103849



Thank you for purchasing this light fitting. Please read the instruction carefully before use to ensure safe and satisfactory operation of this product. Please retain these instruction for future reference.

Warning

This is a Class 1 product and must be earthed.

Please read these instructions carefully before commencing any work.

This unit must be fitted by a competent and qualified electrician.

Install in accordance with the IEE Wiring regulations and current Building Regulations.

Check the pack and make sure you have all the parts listed.

To prevent electrocution switch off at the mains supply before installing or maintaining this fitting. Ensure other persons cannot restore the electrical supply without your knowledge.

This light fitting should be connected to a fused circuit.

If replacing an existing fitting, make a careful note of the connections.

Only to be installed outside arms reach.

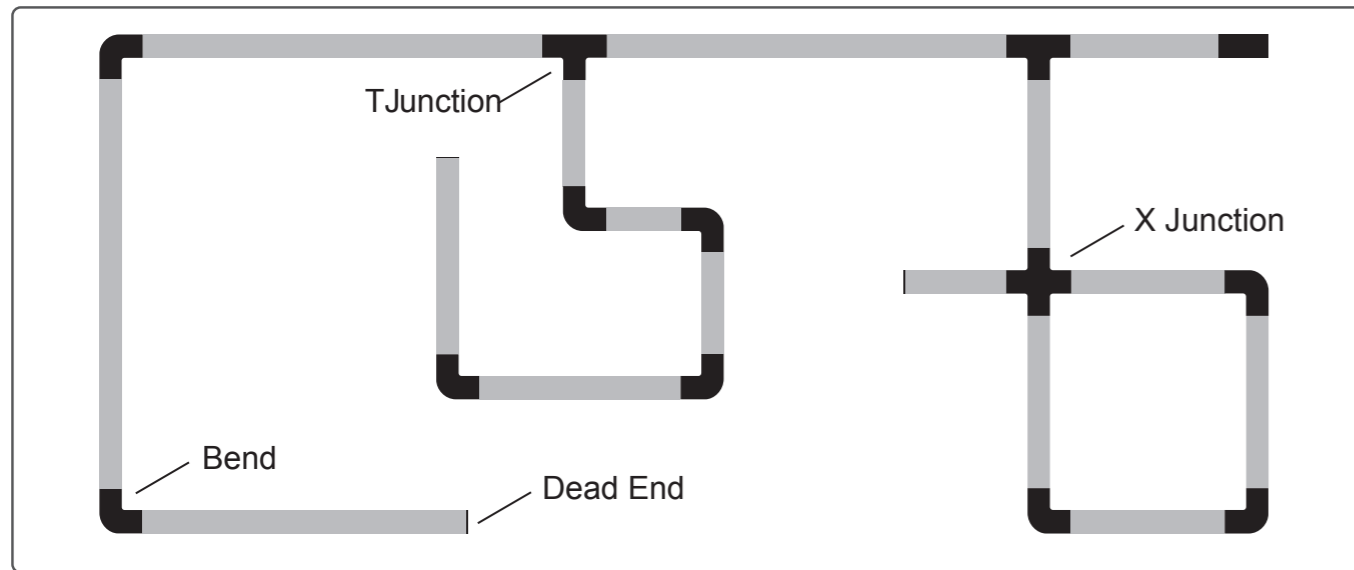
Always use the correct type and wattage bulb. Exceeding the bulb wattage will damage the product.

This track is suitable for dimming. But the fittings with low voltage lamps are not suitable for dimming. Care must be taken to only use the same type of fitting that is able to be dimmed, and that the dimmer wattage must not be exceeded.

Waste electrical products should not be disposed of with household waste. Please recycle where facilities exist. Check with your local authority or retailer for recycling advice.

Layout

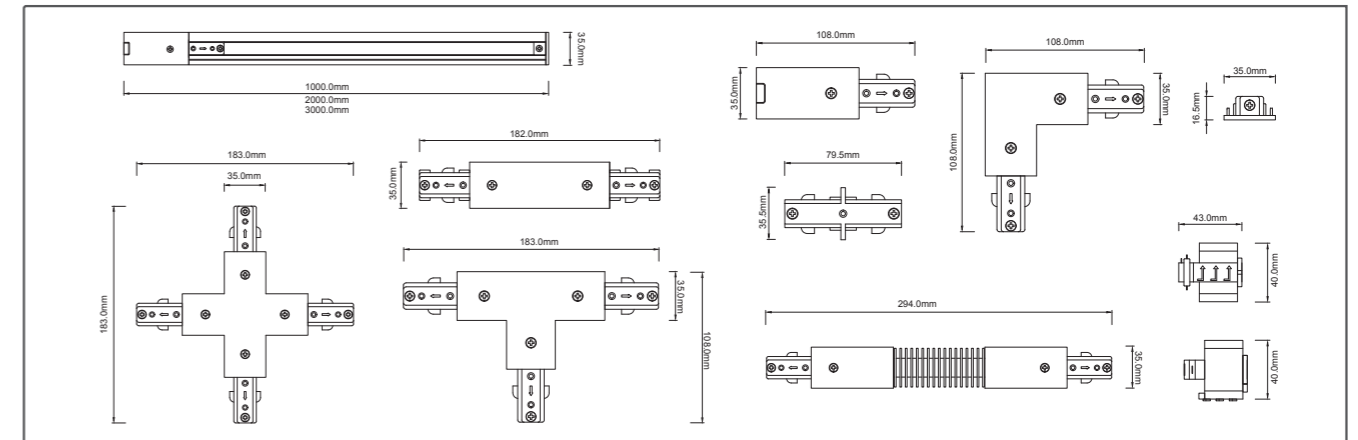
This track system can be extended to a variety of different configurations using accessories such as left bends, right bends, T junctions, X junctions and flexible joints.



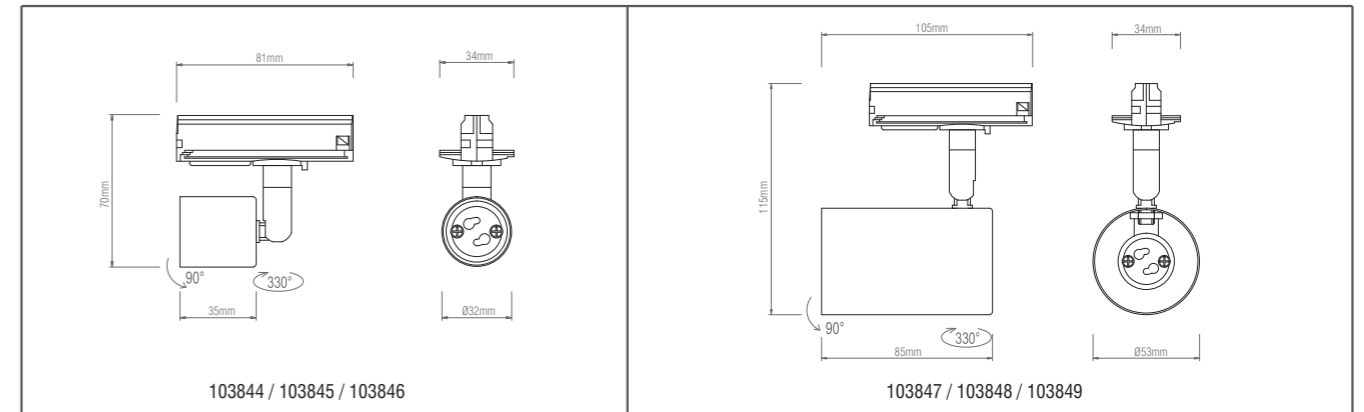
* Max total length of track / load

Item	Model	Component for track system	Rating input	Max total load weight	Max total length of track
1	78654 / 78655 / 78656	1 meter 3 wire track	220-240VAC, 16A	Max. 15kg	50M
2	78657 / 78658 / 78659	2 meter 3 wire track	220-240VAC, 16A	Max. 20kg	
3	78660 / 78661 / 78662	3 meter 3 wire track	220-240VAC, 16A	Max. 30kg	

Track Accessory:



Products:

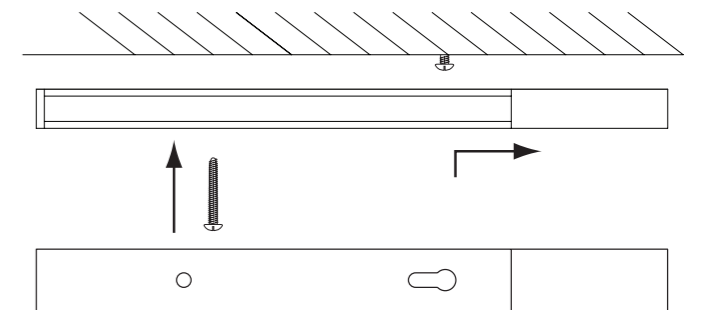


Installation

Existing fittings must be completely removed before installation of a new product. Before removing the existing fitting, carefully note the position of each set of wires.

Note the power at the fuse board and the luminaire must be switched off before installation or maintenance.

- Plan the track layout and decide accessories needed before fixing anything to the ceiling.
- The maximum power per run of track is 1KW (1000W).
- Ensure the ceiling is capable of holding the weight of the track and products. Take care to avoid damaging any concealed wiring and pipes. The correct fixings should be used for brick, cavity walls or plasterboard.
- Mark the first hole position and fit the screw in position as shown.
- Feed the screw through the keyhole slot, and slide into position. Mark the position of the second hole.
- Locate the track and fit the second screw into position.
- If fitting accessories, remove the end cap, and push them firmly home.
- Fit extra lengths of track as required.



Connection

- The track accessories are provided with earth connection points on both sides.
- When offering the accessory to the track, verify which tab needs to be removed. (See left hand diagram).
- To remove the tab, grasp firmly with a pair of pliers and lever back.
- The tab should snap cleanly off. (See right hand diagram).
- Locate the accessory in the track and push home.

