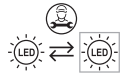


Technical data

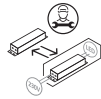
Supply Voltage: 220-240 V~, 50 Hz

Bulb Type: 10W LED module (SMD), 4000K

This product contains a light source of energy efficiency class **E**.



Replaceable (LED only) light source by a professional



Replaceable control gear by a professional



Conformity with all relevant UKCA Directive requirements.



Conformity with all relevant EC Directive requirements.



The power supply is Double Insulated and does not require connection to an Earth circuit.



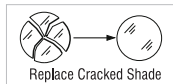
Waste electrical products should not be disposed of with household waste. Please recycle where facilities exist. Check with your Local Authority or local store for recycling advice.



This product is rated at IP65.

Care and Safety

We recommend cleaning with a soft dry cloth. Do not use solvents or abrasive cleaners as these could damage the finish. Live Voltages may be present in this unit even when turned off or when completely disconnected. For your safety, always switch off the power supply before changing lightbulbs, or cleaning.



This LED's are protected by a plastic lens. The lens part must be replaced immediately should it become cracked or damaged. This fitting must not be used without the plastic lens in place.

Instruction manual

AVIT WALL

91238



For further information, please visit <https://www.lighting-info.co.uk/91238>

V3 13/03/2024

UK Manufacturer: BH17 7BY

EU Manufacturer: Brilliant AG,

Brillantstrasse 1, D-27442 Gnarrenburg

saxby
lighting

www.saxbylighting.com

saxby
lighting

Thank you for purchasing this light fitting. Please read the instructions carefully before use to ensure safe and satisfactory operation of this product. Please retain these instructions for future reference.

Warning

 This light fitting is double insulated and does not require connection to an Earth circuit.

Please read these instructions carefully before commencing any work.

This unit must be fitted by a competent and qualified electrician.

Install in accordance with the IEE Wiring regulations and current Building Regulations.

Check the pack and make sure you have all the parts listed.

To prevent electrocution switch off at the mains supply before installing or maintaining this fitting. Ensure other persons cannot restore the electrical supply without your knowledge. If you are in any doubt, please consult a qualified electrician.

If replacing an existing fitting, make a careful note of the connections.

This light fitting should be connected to a fused circuit.

Waste electrical products should not be disposed of with household waste. Please recycle where facilities exist. Check with your local authority or retailer for recycling advice.

Layout

Plan the desired layout of these fittings carefully, ensuring the cables will reach the distances between the junction box and the each light fitting.

Avoid locating any cables in positions that would cause a hazard. Position cables and outdoor rated junction boxes (not supplied) away from areas where they may be at risk from being cut, trapped or damaged.

We recommend that you use H05RN-F specification cable (not supplied) which is an outdoor grade, rubber sheathed cable.

The mains supply cable must have a minimum cross section area of 1.0mm².

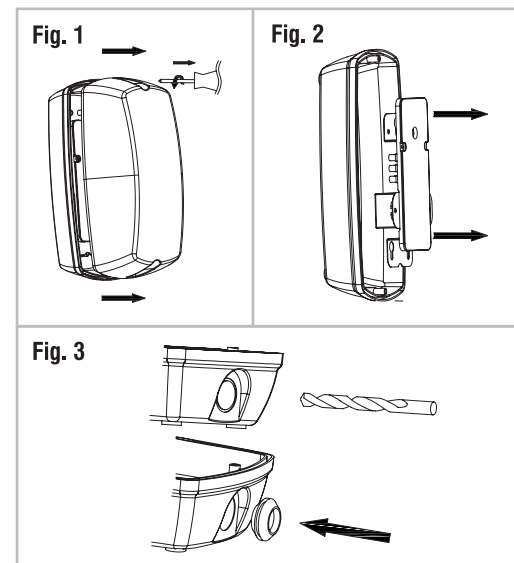
Cables must be protected using suitable conduit or plastic trunking.

Installation

Existing fittings must be completely removed before installation of a new product. Before removing the existing fitting, carefully note the position of each set of wires.

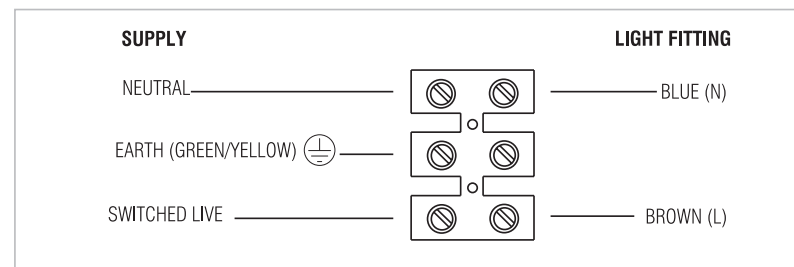
Note that the switch is turned off before installation.

- Undo the screws at the top and bottom of the shade to detach it from the wall back (Fig. 1)
- Loosen the screws at the bottom of the LED board. Slide the board down and detach from the wall back to access the terminal block (Fig. 2)
- Decide which cable entry hole to use - the hole at the rear of the wall back - or the conduit entry hole at the base. Drill out where necessary and fit the cable grommet before pulling the supply wiring through. (Fig. 3)
- Using the wall back as template mark and drill the fixing holes. Attach the wall back to the wall. Ensure the wall is capable of taking the weight of the product. Take care not to damage any concealed wiring or pipes.
- Wire as detailed below



Wiring

Having correctly identified the wiring from your existing light fitting, connect to the connection block inside the product in the following way:



Check that...

- You have correctly identified the wires.
- The connections are tight.
- No loose strands have been left out of the connection block.

Commissioning

- Refit the LED board in place.
- Refit the shade.
- Replace fuse or circuit breaker and switch on. Your light is now ready for use.