

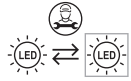
Shaver Socket Instructions

- The shaver socket is powered by a 20W isolating transformer and is only intensified for use with electric shavers, electric toothbrush chargers and similar products.
- Any appliance connected to the socket must not exceed the 20W power output as this could cause damage and overheating to occur.
- Always check your appliance instructions to ensure the power requirements are less than 20W.

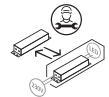
Technical Data

Supply Voltage: 220-240 V~, 50 Hz | Shaver Socket: 115V - 240V dual socket

Bulb Type: 7W LED module (SMD), 6500K This product contains a light source of energy efficiency class **E**.



Replaceable (LED only) light source by a professional



Replaceable control gear by a professional



Conformity with all relevant UKCA Directive requirements.



Conformity with all relevant EC Directive requirements.



This product is Class 1, must be connected to earth.



Waste electrical products should not be disposed of with household waste. Please recycle where facilities exist. Check with your Local Authority or local store for recycling advice.



This product is not suitable for dimming.



This product is rated at IP44.

Care and Safety

We recommend cleaning with a soft dry cloth. Do not use solvents or abrasive cleaners as these could damage the finish.

Mirror-Use a damp cloth or a propriety glass cleaner. Do not use abrasive materials as these will damage the finish.

Live Voltages may be present in this unit even when turned of or when completely disconnected. For your safety, always switch off the power supply before changing lightbulbs, or cleaning.



The mirror must be replaced immediately should it become cracked or damaged. This fitting must not be used without the mirror in place.

Instruction manual

Revelo Shaver Cabinet Mirror

60894



For further information, please visit <https://www.lighting-info.co.uk/60894>

V4 17/05/2023

UK Manufacturer: BH17 7BY

EU Manufacturer: Brilliant AG,
Brilliantstrasse 1, D-27442 Gnarrenburg

saxby
lighting

www.saxbylighting.com

saxby
lighting

Thank you for purchasing this light fitting. Please read the instructions carefully before use to ensure safe and satisfactory operation of this product. Please retain these instructions for future reference.

Warning

This is a Class 1 product and must be earthed.

Please read these instructions carefully before commencing any work.

This unit must be fitted by a competent and qualified electrician.

Check the pack and make sure you have all the parts listed.

Install in accordance with the IEE Wiring regulations and current Building Regulations.

To prevent electrocution switch off at mains supply before installing or maintaining this fitting. Ensure other persons cannot restore the electrical supply without your knowledge. If you are in any doubt, please consult a qualified electrician.

This light fitting should be connected to a fused circuit.

If replacing an existing fitting, make a careful note of the connections.

This product is suitable for indoor use only, on normal flammable surfaces.

This product contains non-replaceable parts and cannot be serviced. If damage occurs the part should be scrapped.

Waste electrical products should not be disposed of with household waste. Please recycle where facilities exist. Check with your local authority or retailer for recycling advice.

Layout

Plan the desired layout of these fittings carefully, ensuring the cables will reach the distance between the Junction box and the light fitting.

Avoid locating any cables in positions that would cause a hazard. Position cables and junction boxes (not supplied) away from areas where they may be at risk from being cut, trapped or damaged.

The mains supply cable must have a minimum cross sectional area of 1.0mm²

Cables in wall must be protected using suitable conduit or plastic trunking.

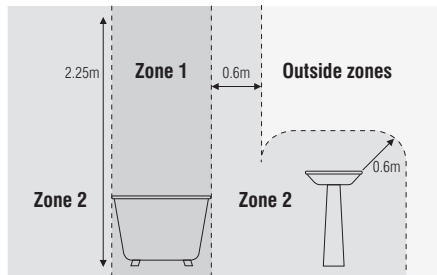
The cable entry hole is on the left hand-side of the product and is accessed removing the mirror panel.

This product has special protection against the ingress of moisture.

This product is fitted with a no touch infrared switch, helping to keep the mirror clear of fingerprints. **Caution: To avoid interference, the sensor must be placed a minimum of 200mm away from any surface of object.**

This product is suitable for use bathroom zone 2 and outside zones of a bathroom only. Please see diagram on the right.

If this unit is being fitted in a room containing a bath or shower, a 30mA RCD must be used - in accordance with IEE regulations.



Installation

Existing fittings must be completely removed before installation of a new product. Before removing the existing fitting, carefully note the position of each set of wires.

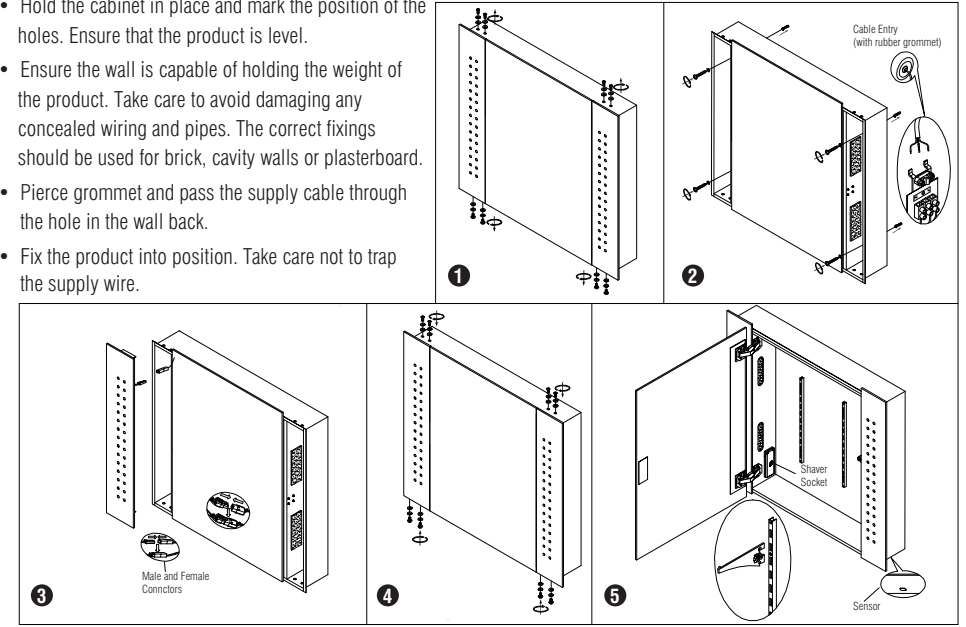
Note that the switch is turned off before installation.

This product is suitable for installation on surfaces with normal flammability e.g. wood, plasterboard and masonry. It is not suitable for use on highly flammable surfaces (e.g. polystyrene, textiles).

If mounting, note the position of the "This Way Up" label on the back of the product and ensure it is correctly oriented.

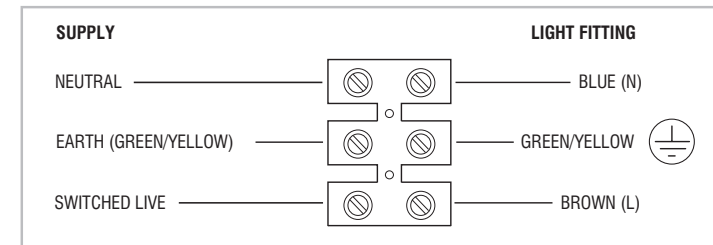
An assistant may be required to aid installation of this product.

- Remove the mirror panels either side of the door by removing the 4 screws (two on the top and bottom of the product). The LED modules can be disconnected for ease of installing the cabinet.
- Hold the cabinet in place and mark the position of the holes. Ensure that the product is level.
- Ensure the wall is capable of holding the weight of the product. Take care to avoid damaging any concealed wiring and pipes. The correct fixings should be used for brick, cavity walls or plasterboard.
- Pierce grommet and pass the supply cable through the hole in the wall back.
- Fix the product into position. Take care not to trap the supply wire.



Wiring

Having correctly identified the wiring from your light fitting, Pull the wire through the hole and connect to the connection block inside the product in the following way:



Check that...

- You have correctly identified the wires.
- The connections are tight.
- No loose strands have been left out of the connection block.
- When completed, ensure that there are no bare or loose strands of wire exposed, and cover all exposed areas of the connection block with 2 layers of insulation tape.

Commissioning

- Reconnect the LED modules and refit the mirror panels. Ensure that the seals are correctly located before securing.
- Fit the shelf brackets in place and gently locate the shelves on top of the brackets.
- Replace fuse or circuit breaker and switch on. Your light is now ready for use.
- Activate your new LED mirror by swiping your hand in front of the sensor.
- The access the shaver socket, lift the grey flap up on the side. Select either 240V or 110V depending on the model of shaver.