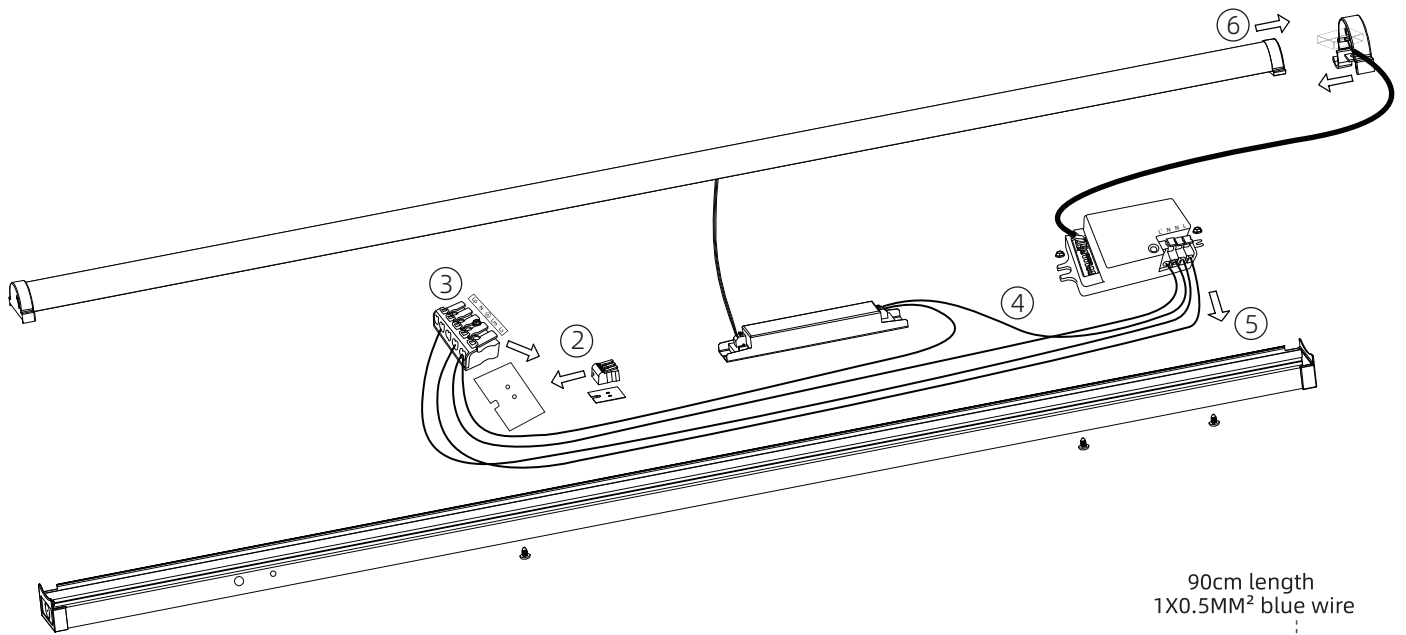
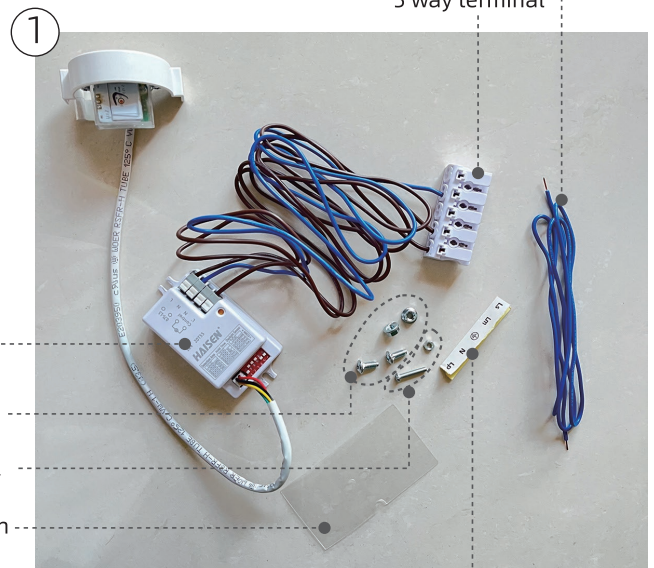


Installation Instructions

116744



90cm length
1X0.5MM² blue wire
5 way terminal



PIR sensor

2pcs sensor
screws

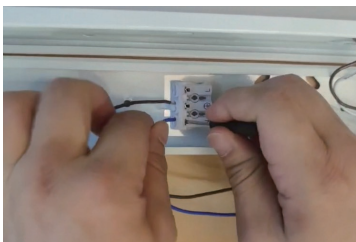
1pc terminal
screws

1pc insulation
spacer

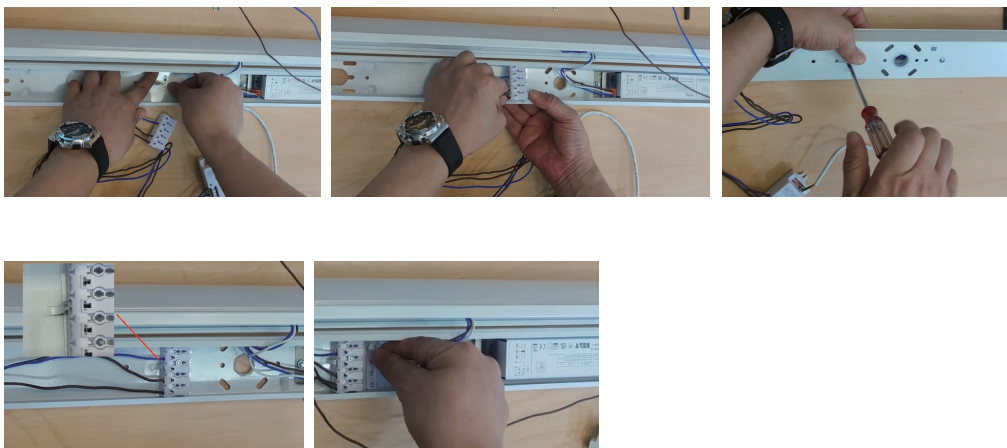
1pc terminal label

1. Ready PIR sensor accessories SAX01-116744:
PIR sensor which has already connected with 5 way terminal, 2pcs screws for sensor installation, 1pc screws for terminal installation, 1pc insulation spacer, 1pc terminal label.

2. Exit all the wires from current terminal and LED driver (the lamp which you need to update to PIR), take away terminal and insulation spacer, keep the driver wire.



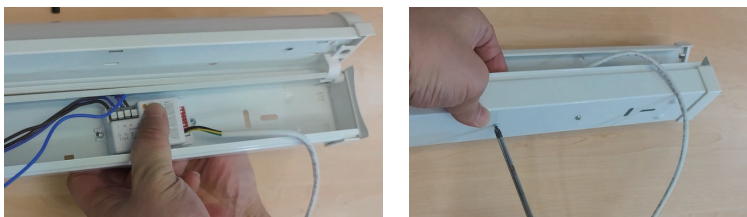
3. place the insulation spacer from SAX01-116744,install terminal with screws and tight ground tongue ,and stick the label beside the terminal .



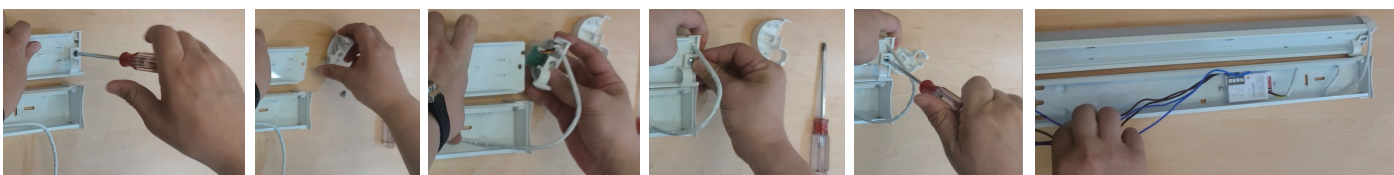
4. connect the wire :driver N to sensor N ;Driver L to terminal Ls



5. Fix the sensor near the end caps with 2 screws .



6. Exit the screw and remove the end cap from the lamp (which you need to update to PIR), install the new end cap which had already with sensor on the lamp.



7. For EM version ,connect the EM L to terminal Lp,N to terminal N .

