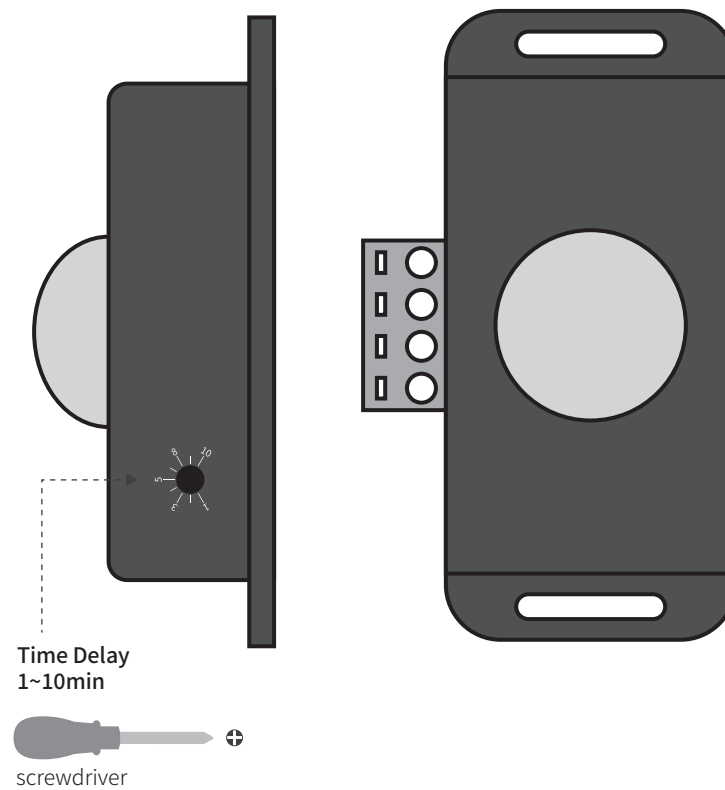


# USER MANUAL



## 1. Technical Parameters

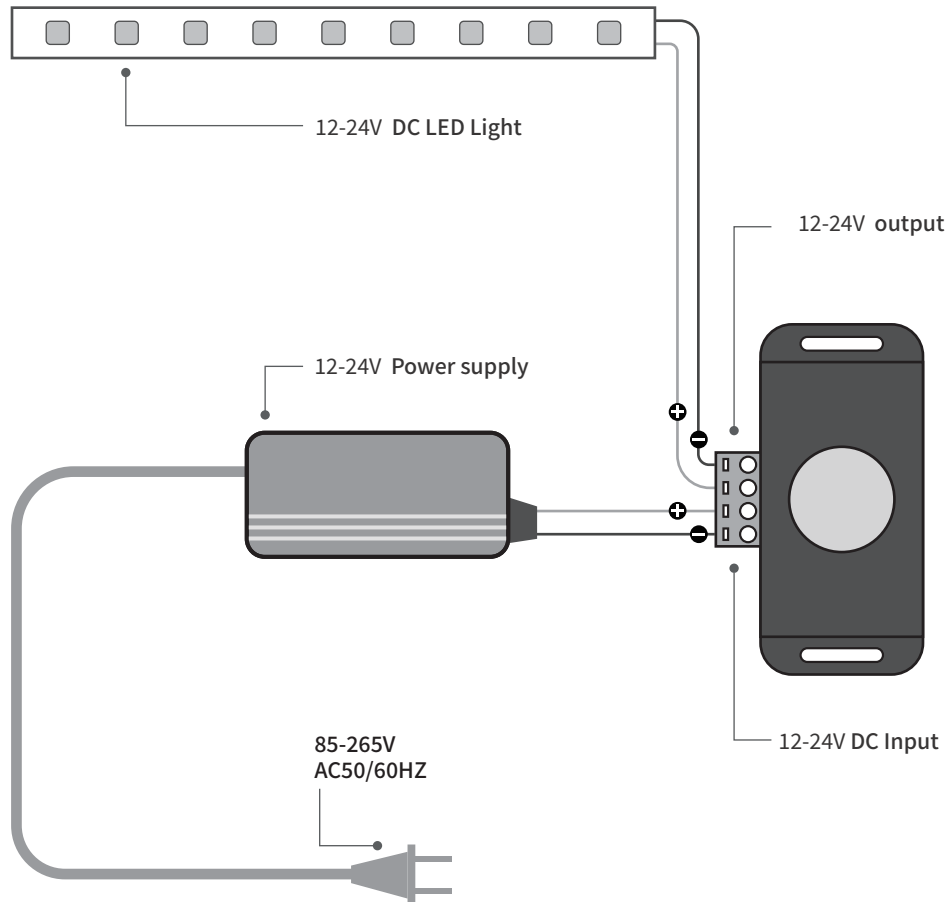
Working temperature:	-20-60 °C
Power supply voltage:	12-24V
Output voltage:	12-24V
Max load current:	6A
Delay time:	1-10min(adjustable)

## 2.Direction For Use

The human body induction switch is a kind of infrared detection controller,adopt infrared detection way to Control load switch.Users can according to actual needs Installed the human body sensors in the appropriate Environment.

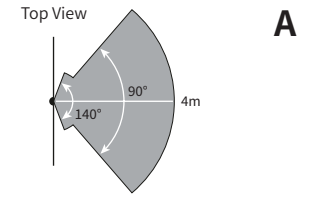
Connect the load wire at first,following by the power Wire;Please ensure short circuit can not occur between Connecting wire before you turn on the power;when Detected somebody,the load light will bright,when People leave time up to the setting of the delay time,the Load lights will automatically turn off.Controller signal Output line and input line should be connected correctly.

## 3.Panelscreen Printing And connection Model.

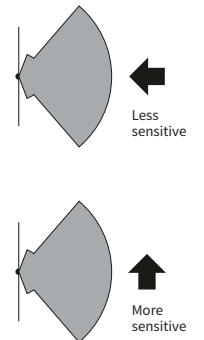
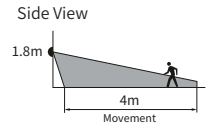


## 4. Selecting a Location

- The motion detector has a number of detection zones, at various vertical and horizontal angles as shown (see Image A)
- A moving human body needs to cross/enter one of these zones to activate the sensor. The best all-round coverage is achieved with the unit mounted at the optimum height of 1.8m.
- Careful positioning of the sensor will be required for optimum performance (See Image A).
- The sensor is more sensitive to movement ACROSS its field of vision than to movement directly TOWARD (See Image B). Therefore position the unit so that the sensor looks ACROSS the likely approach path.
- Avoid positioning the sensor where there are any sources of heat in the detection area (extractor fans, tumble dryers etc.).
- Reflective surfaces (i.e. pools of water or white-painted walls) and overhanging branches may cause false activation under extreme conditions.
- During extreme weather conditions the motion sensor may exhibit unusual behaviour but this does not indicate a fault with the sensor. Once normal weather conditions return, the sensor will resume normal operation.



Detection Angle and Range:  
Max 3m range at 90° angle  
Max 4m range at 140° angle



## 4. Note

A. Lead wire should be connected correctly according to colors that connecting diagram offers.

B. When input voltage 12-24, controller work normal.