

OPTIONAL ACCESSORIES



(1) pc M10 Hanging Hook Bolt

OPERATION(INDICATOR STATUS)

Mode	Test Button Operation	Indicator Status	Comment & Solutions
AC MODE (1)	NO Press	Permanent green	Emergency led driver is charging
AC MODE (2)	Press once	Fast flashing green (0.1s on, 0.1s off)	Emergency led driver is conducting a 30s short-term emergency test,After 30 seconds,it will automatically restore to normal charging mode
AC MODE (3)	Press twice (2s) in sequence	Slow flashing green (1s on, 1s off)	Emergency led driver is conducting a long-term emergency test until battery is fully discharged
AC MODE (4)	/	Slow flashing red (0.1s on, 0.1s off)	Battery over charge fault
AC/DC MODE	/	Slow flashing red (1s on, 1s off)	Battery failed the duration test or function test / No battery
EMERGENCY MODE(1)	NO Press	OFF	Emergency led driver is conducting a long-term emergency test until battery is no power
EMERGENCY MODE(2)	Press once	OFF	Emergency Driver is turned off

WARNING Risk of Electric Shock

Note:Please press once test button to make certain the battery is turned off, before installation, maintenance, storage or shipping.

PACKAGE INFORMATION

Power	Length	Width	Height	G.W(kg)	N.W(kg)	QTY(pcs)
10W	533mm	253mm	222mm			10

V3 26/09/2024
 UK Manufacturer: BH17 7BY
 EU Manufacturer: Brilliant AG,
 Brilliantstrasse 1, D-27442 Gnarrenburg

saxby
lighting

Instruction manual

Helios EM Kit

106744



FEATURES

- EN62040-2,EN61000-3-2, EN61000-3-3,EN61347-1, EN61347-2-7,EN61347-2-13 standards
- High voltage output
- Battery:Over Discharge Protection
Over Current Protection
Short Circuit Protection
- When the voltage is less than 180Vac, emergency driver will switch into emergency mode
- Suit for LED fixture up to 320W
- Super Mini emergency led driver
- Fast Connector, wiring is super easy
- Indicator lights can show various status

SPECIFICATIONS

- Input Voltage:220~240Vac, 50/60Hz
- Input Current:100mA max.
- Recharge Power:7W max.
- Output Voltage:100~260Vdc
- Emergency Power:10W
- Recharge Time:24Hrs
- Discharge Time:≥3H
- Warranty:2Years
- Battery:LiFePO4 6.4V/6000mAh
- Ambient Temp:0~60°C
- Weight:1.5kg max.
- Surge protection:Line-Neutral 2KV

SPECIFICATION CHART

Models	Emergency Power	Battery Type	Output Voltage
SAX01-106744	10 Watts (Constant)	LiFePO4	100~260VDC

NOTE-Power of the **SAX01-106744** selected must not exceed the power of A.C. driver from led fixture.

www.saxbylighting.com



saxby
lighting

!IMPORTANT SAFEGUARDS!

WHEN USING ELECTRICAL EQUIPMENT, BASIC SAFETY PRECAUTION SHOULD ALWAYS BE FOLLOWED, INCLUDING THE FOLLOWING

READ AND FOLLOW ALL SAFETY INSTRUCTION

- CAUTION-** This emergency driver provides more than one power supply output source. To reduce the risk of electrical shock, disconnect both normal and emergency source by turning off the A.C. branch circuit and by disconnecting the battery on/off connector.
- CAUTION-** Servicing of this equipment should be performed by qualified personnel only.
- CAUTION-** Do not attempt to service the battery. A sealed, no-maintenance battery is used that is not field replaceable. Replace the entire unit when necessary.
- CAUTION-** The use of accessory equipment not recommended by the manufacturer may cause an unsafe condition, void warranty, and result in non-compliance with specifications.
- CAUTION-** The emergency driver requires an un-switched AC power source of **220-240VAC**, 50/60Hz. Verify the correspondent electrical rating at the LED fixture before servicing. Both of the electrical rating will supply power under an output voltage of 100-260VDC in emergency mode for 180 minutes.
- CAUTION-** Battery pack should be charged for 24 hours every 6 months during storage.
- CAUTION-** Press test button again to turn off emergency before shipping.
- Battery in this unit may not be fully charged. After electricity is connected to the unit for at least 24 hours, then normal operation of this unit should take effect.
- For use in 0°C minimum, 60°C maximum ambient temperatures.
- When use soft panel test button with glue on the backside, pls paste on the visible palce with smooth and clean surface.
- The emergency driver should be mounted in locations and at heights where it will not readily be subjected to tampering by unauthorized personnel.
- For led fixture power higher than or equal to rating of the emergency driver emergency battery pack.
- Do not use this equipment for anything other than its intended use. Equipment only use for LED Lighting emergency backup.
- Do not mount near gas or electric heaters. Do not let power supply cords touch hot surfaces.
- Do not make or leave any other open holes in the wiring enclosure or electrical component enclosure during installation.
- The equipment is intended for ordinary locations and for permanent installation into one or more Listed emergency luminaires.
- Do not use high voltage test instrument !



Caution: Before Installation, Make Certain The A.C. Power is Off !

STEP 1: INSTALLING THE EMERGENCY LED DRIVER

- > Install the hook onto the battery.
- > Fix the emergency led driver on the proper place.
- > Secure lighting fixtures to emergency led driver.

STEP 2: WIRING

- > Select the appropriate wiring diagram as reference. For other diagrams, consult the manufacturer.
- > Make sure all connections are accordance with any local regulations.
- > Connect the mounting holes to the A.C. driver and LED load in accordance with manufacture's installation instructions.

STEP 3: TESTING

- > After wiring is completed, check if all wiring is right. If all right, then apply A.C. power. Check if the indicator light lights or not, which will indicate the battery's charging situation.
- > Press once Test button, check if emergency led driver turn into emergency mode, and after 30 seconds, automatically switch back to AC mode or recharge mode.

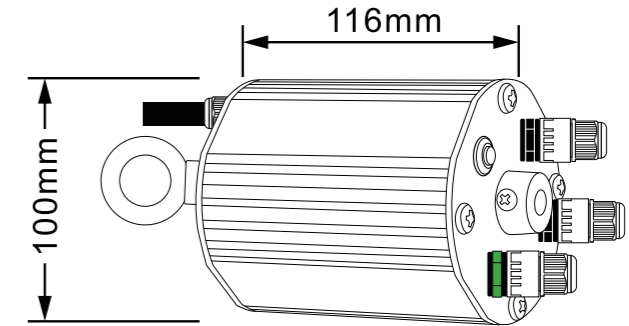
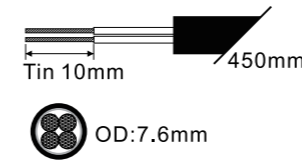
SAVE THESE INSTRUCTIONS



THIS PRODUCT CONTAINS A RECHARGEABLE LITHIUM BATTERY. THE BATTERY MUST BE RECYCLED OR DISPOSED OF PROPERLY TO PREVENT FIRE.

DIMENSIONS

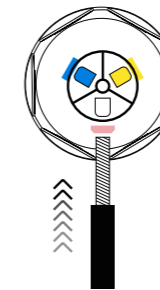
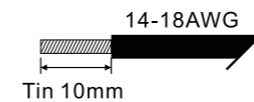
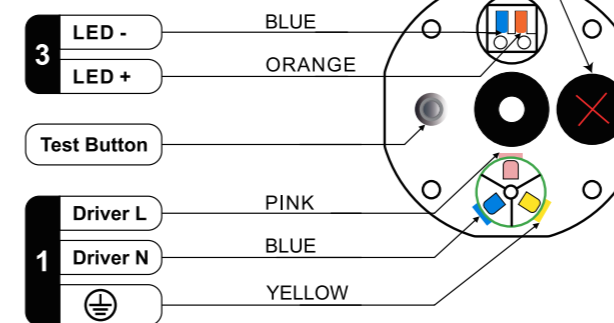
SIZE: L*W=116mm*100mm
Input wire exposed:450mm
OD:7.6mm



WIRING DIAGRAM

OUTPUT

Don't use it



WIRING DIAGRAM:

