

Technical data

Supply Voltage: 220-240V~ 50Hz

Bulb Type: 9W LED module CCT, 3000K - 6000K tunable

The LED module of this luminaire is not replaceable, when the LED module reaches its end of life the whole luminaire shall be replaced.



Conformity with all relevant UKCA Directive requirements.



Conformity with all relevant EC Directive requirements.



The power supply is Double Insulated and does not require connection to an Earth circuit.



Waste electrical products should not be disposed of with household waste. Please recycle where facilities exist. Check with your Local Authority or local store for recycling advice.



This product is suitable for dimming with 'TUYA' app, Amazon Echo or Google Home.



This product is rated at IP65.

Care and Safety

We recommend cleaning with a soft dry cloth. Do not use solvents or abrasive cleaners as these could damage the finish.

For your safety, always switch off the power supply before cleaning and maintaining the system.

Instruction manual

Orbital Smart Tunable Downlight

79305



V1 20/09/2024

UK Manufacturer: BH17 7BY

EU Manufacturer: Brilliant AG,
Brilliantstrasse 1, D-27442 Gnarrenburg


saxby
lighting

www.saxbylighting.com

saxby
lighting

Thank you for purchasing this light fitting. Please read the instructions carefully before use to ensure safe and satisfactory operation of this product. Please retain these instructions for future reference.

Warning

 This power supply is double insulated and does not require connection to an Earth circuit.

Please read these instructions carefully before commencing any work.

This unit must be fitted by a competent and qualified electrician.

Check the pack and make sure you have all the parts listed.

Install in accordance with IEE Wiring regulations and current Building Regulations.

To prevent electrocution switch off at mains supply before installing or maintaining this fitting. Ensure other persons cannot restore the electrical supply without your knowledge. If you are in any doubt, please consult a qualified electrician.

This light fitting should be connected to a fused circuit.

If replacing an existing fitting, make a careful note of the connections.

This system operates at Safety Extra Low Voltage, via the supplied LED driver. Never connect the light fittings directly to the mains without using the supplied LED driver.

Always disconnect the LED driver from the mains when installing or maintaining this system.

This system contains non-replaceable parts and cannot be serviced. If damage occurs the part should be scrapped.

This product meets the electrical installation requirements for fire-rated ceiling lamps (BS476 Part 21) and can withstand fire up to 30, 60 and 90 minutes.

Waste electrical products should not be disposed of with household waste. Please recycle where facilities exist. Check with your local authority or retailer for recycling advice.

Layout

Plan the desired layout of these fittings carefully, ensuring the cables will reach the distances between the transformer and each light fitting.

Avoid locating any cables in positions that would cause a hazard. Position cables and junction boxes (not supplied) away from areas where they may be at risk from being cut, trapped or damaged.

The mains supply cable must have a minimum cross sectional area of 1.0mm².

The distance between units must be 0.5m minimum.

The unit must be located 0.2m away from a joist.

This product must be mounted out of arms reach.

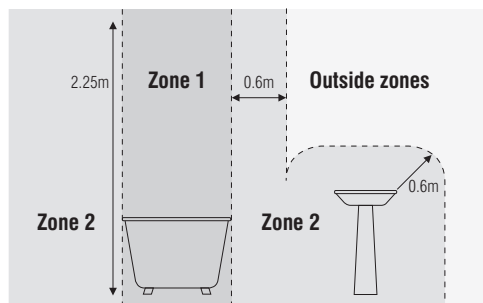
This fitting must always be fitted to a plasterboard ceiling.

This must not be fitted to a plaster and lathe ceiling.

The luminaire / fitting can be installed with insulation.

This product is suitable for covering with insulation 270mm.

This product is suitable for use in Zone 2 and outside zones of a bathroom. Please see diagram. If this unit is being fitted in Zone 1 a room containing a bath or shower, a 30mA RCD must be used - in accordance with IEE regulations.



Installation

Existing fitting must be completely removed before installation of a new product. Before removing the existing fitting, carefully note the position of each set of wires.

Note that the power needs to be isolated/switched off at the fuse board.

The ceiling surface must be flat and smooth to ensure a good fit.

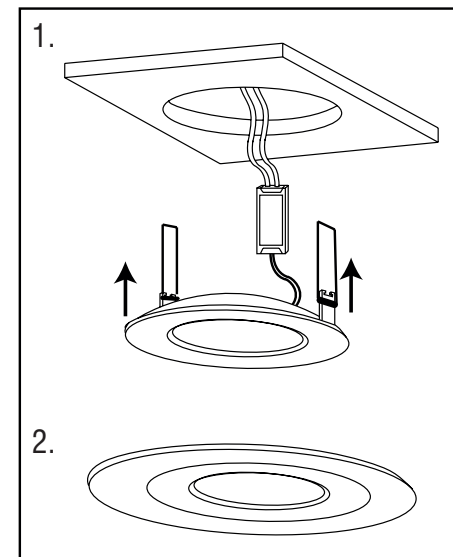
1. Position the LED Driver next to the mains outlet that the system will connect to. Do not connect at this stage.
2. Cut a 97mm diameter hole using an appropriate tool.
3. Ensure that the void depth is a minimum of 43mm. It is recommended to cut the hole slightly smaller than needed, then file the hole until the recessed unit fits snugly.
4. Wire as detailed wiring diagram.
5. Push the spring clips upwards and fit into the ceiling hole. **See Fig 1.**
6. Push the unit up until firmly in position, ensuring that no cables are trapped. **See Fig 2.**
7. Ensure that the product is sitting properly in the hole.
8. Replace fuse or circuit breaker and switch on. Your light is now ready for use.

This product is suitable for dimming with 'Tuya' app, Amazon Echo or Google Home.

We recommend putting the wifi receiver within 20-25 meters of your WI-FI Hub. This will vary depending on the strength of your WI-FI coverage.

Saxby Smart products are only supported on 2.4G WIFI bands.

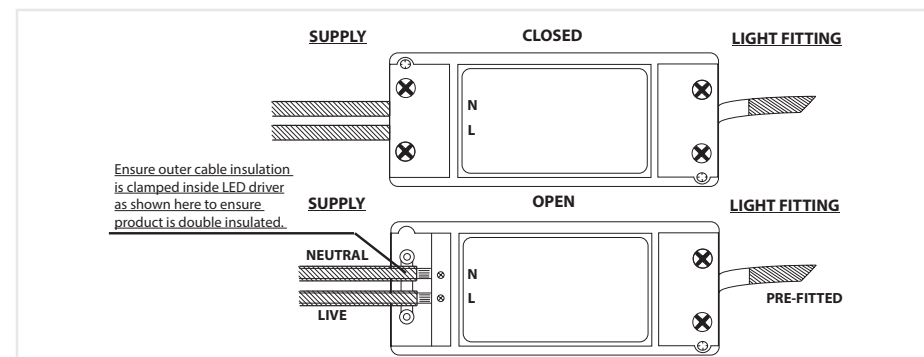
We recommend testing the position before full installation.



Wiring

Having correctly identified the wiring from your existing light fitting, pull the wire through the hole and connect to the connection block inside the LED driver in the following way:

This unit is double insulated and must not be earthed. If there are any incoming earth cables, they must be joined together and well insulated with good quality insulation tape. This is to ensure earth continuity throughout your property.



Ensure outer cable insulation is clamped inside LED driver as shown here to ensure product is double insulated.

Check that...

You have correctly identified the wires. The connections are tight. No loose strands have been left out of the connection block.